

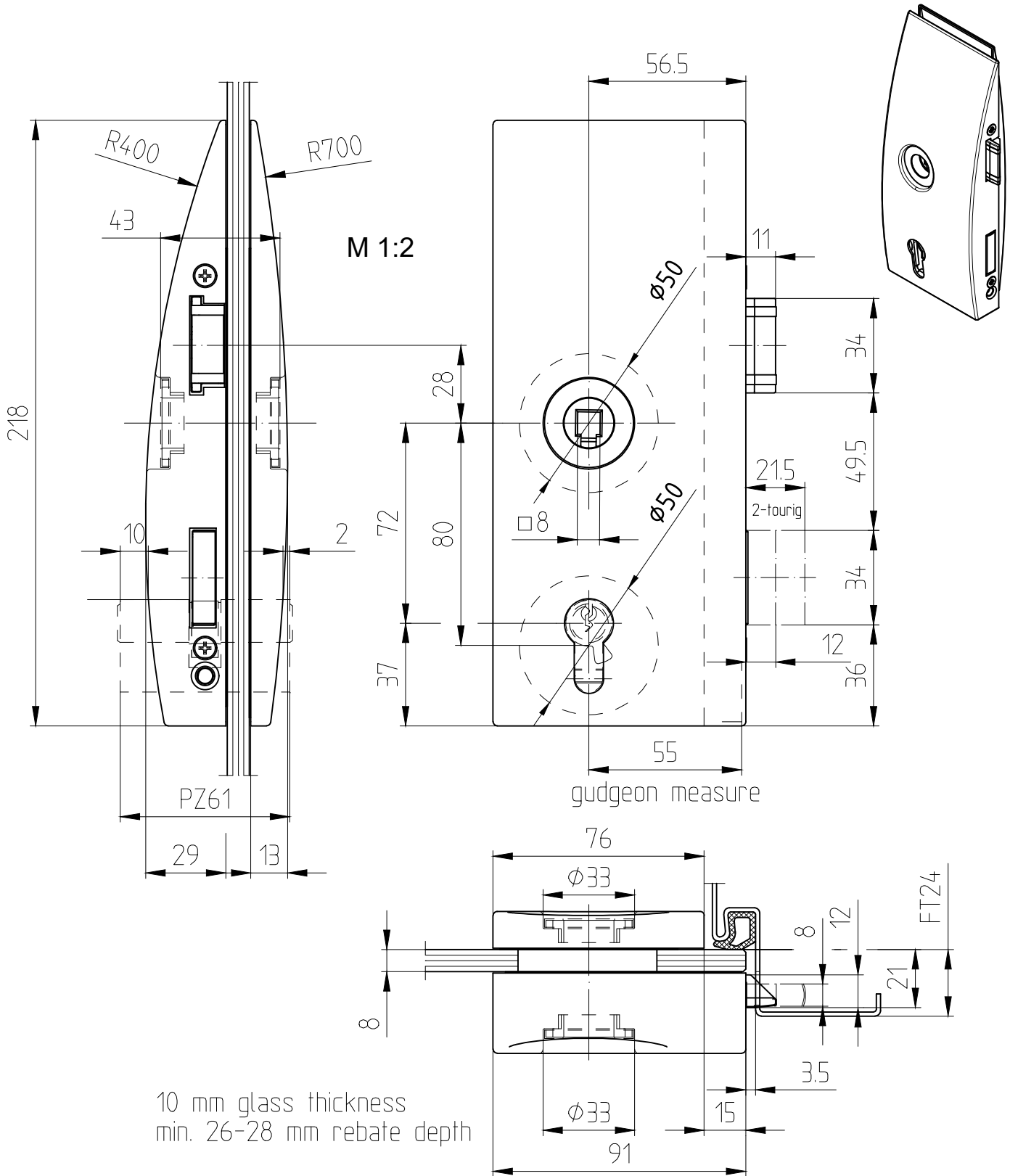
ARCOS-Office-lock Europrofile cylinder



prepared for levers with follower
Art. No. 25.260 (LH) / 25.261 (RH)

25.260/25.261

drawn DIN L



10 mm glass thickness
min. 26-28 mm rebate depth

This document is protected by copyright. The content is the property of DORMA-Glas GmbH. All rights reserved.

1:1

07.2022 / 016627

25-015