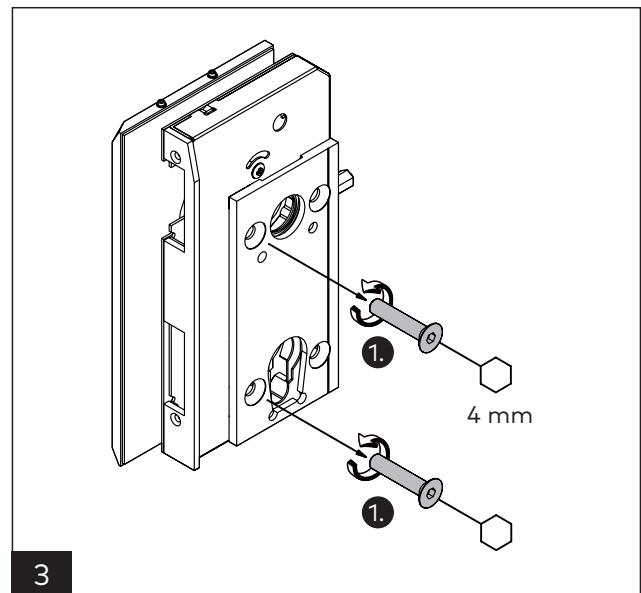
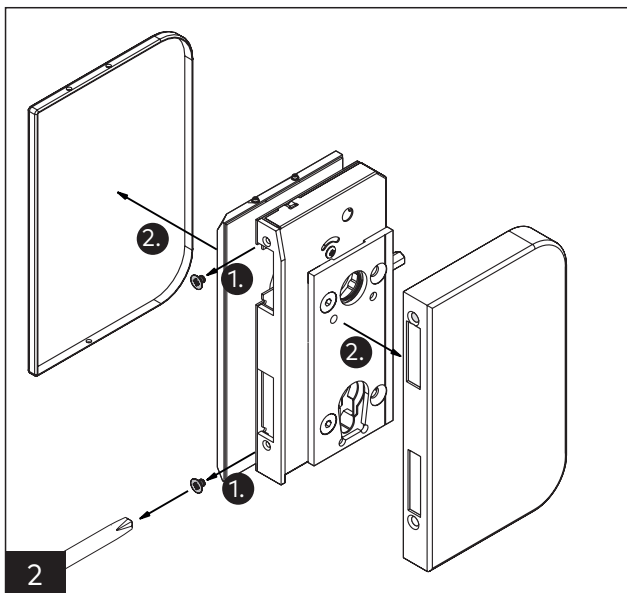
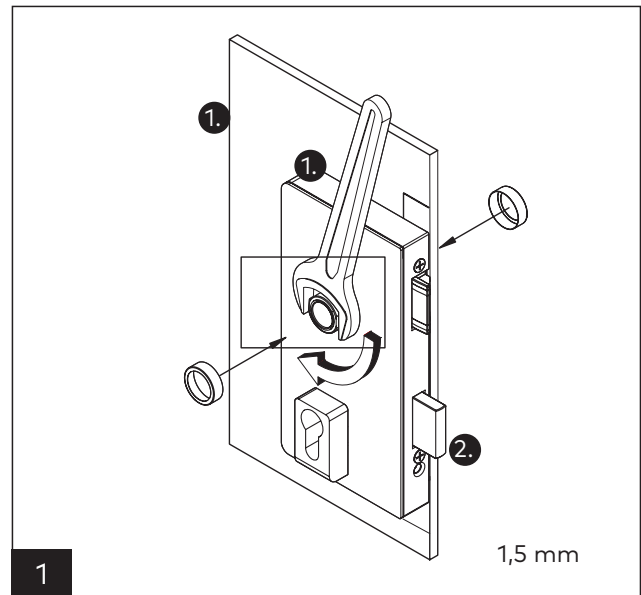
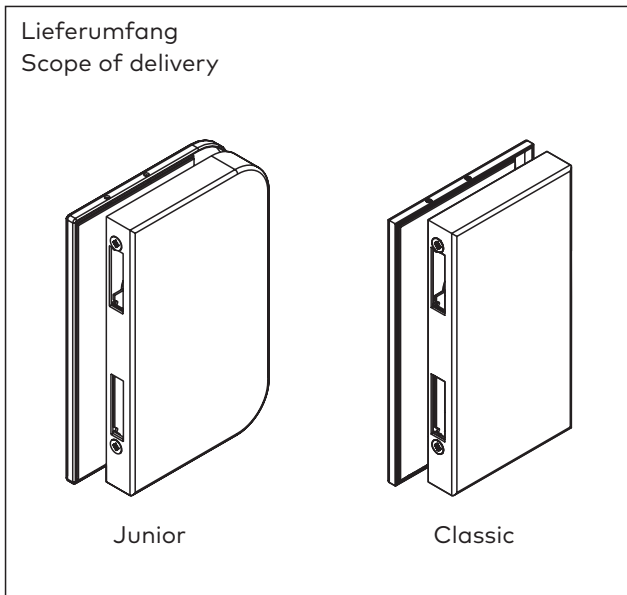


# 1 Junior & Classic



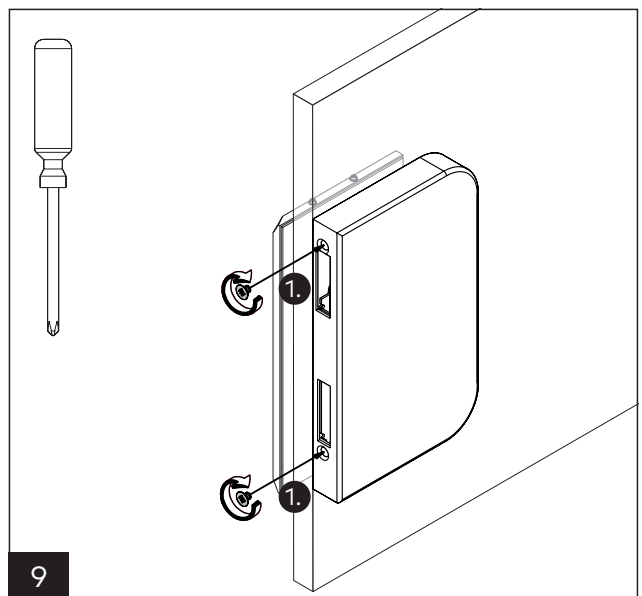
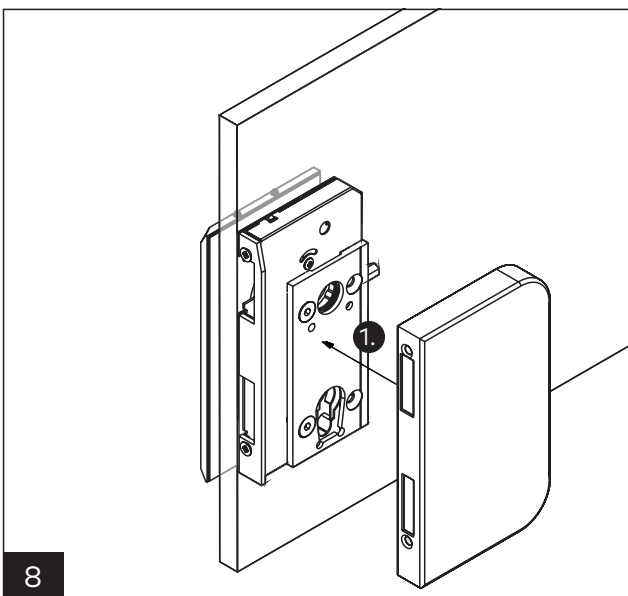
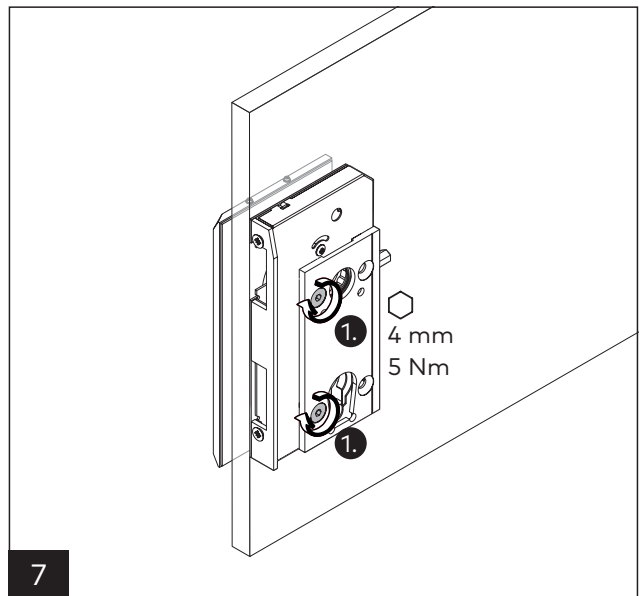
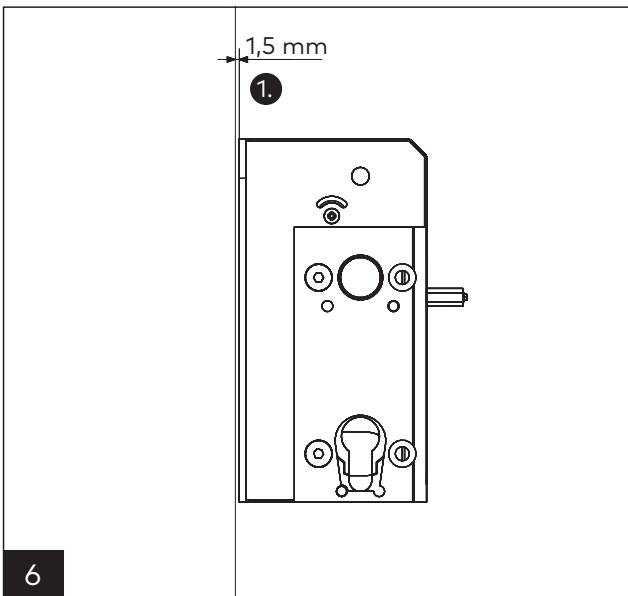
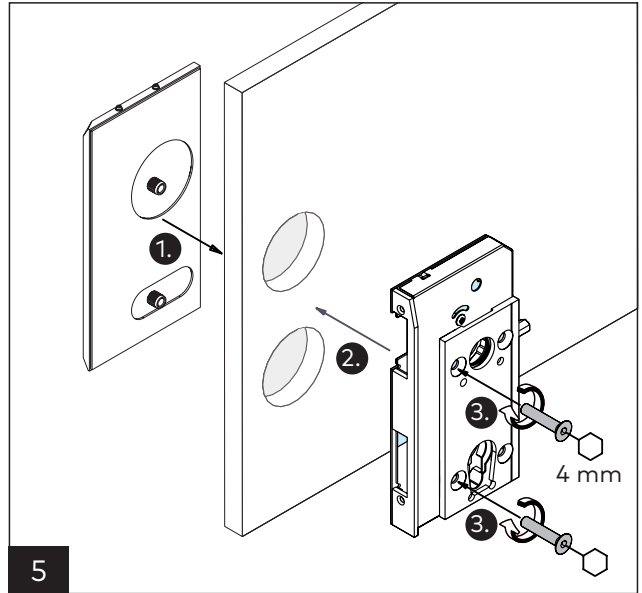
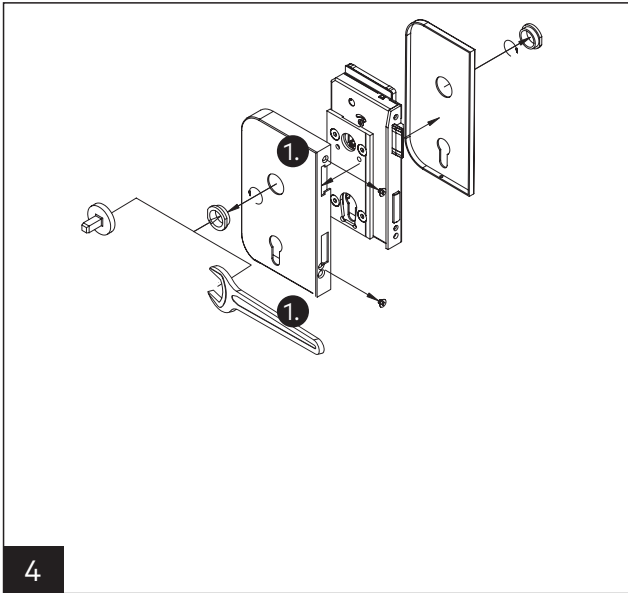
# OFFICE Gegenkasten OFFICE Strike-box

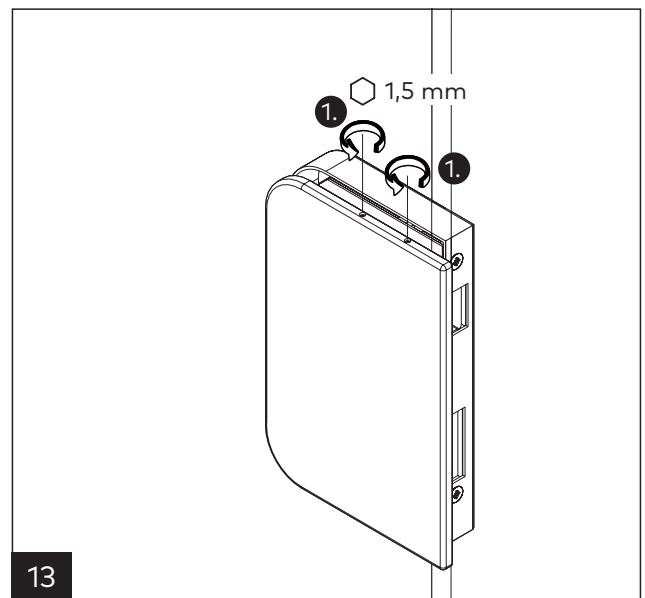
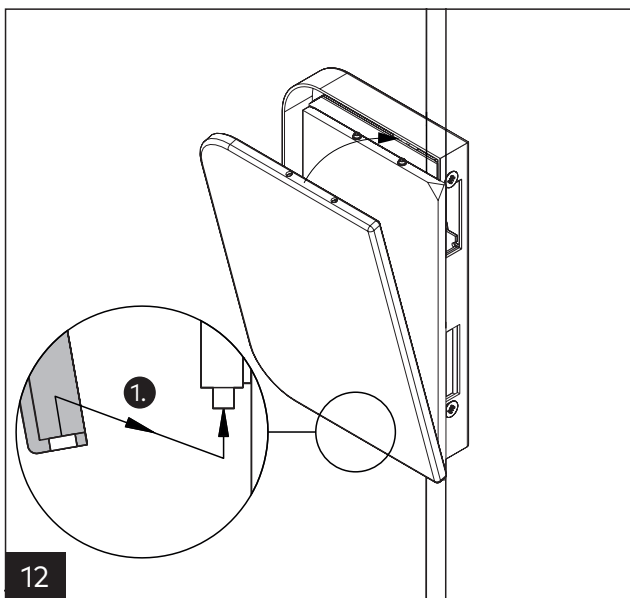
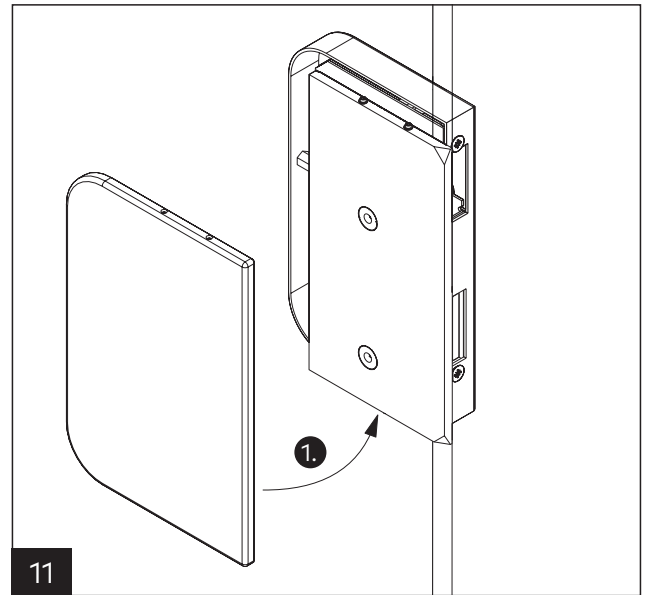
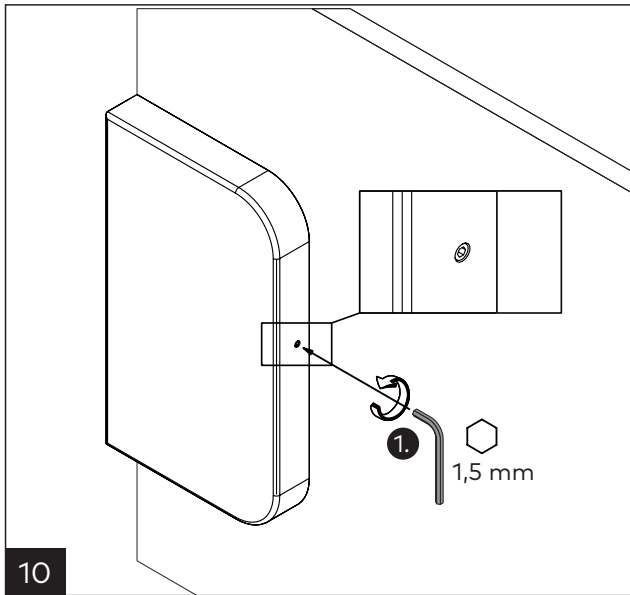
Junior, Classic, Arcos & Mundus

Montageanleitung  
Mounting instructions

WN 058925 45532 – 2021-03

DE | EN





## 2 Mundus & Arcos

