

Contents

1	About this manual	1
2	Safety	1
3	Product description	2
4	Mounting	5
5	Maintenance and care	11
6	Disassembly and disposal	11

1 About this manual

1.1 Information about the manual

This manual describes the installation of OFFICE locks and contains information on care and maintenance. The installation is shown using the example of an OFFICE Junior lock. All other installation options are installed likewise.

1.2 Target group

dormakaba glass fittings may only be installed by qualified personnel who are specially trained in glazing installation.

1.3 Symbols used



Only use silicone- and oil-free cleaners (e.g. acetone).

1

2

Installation sequence

1.

2.

Step-by-step graphics

2 Safety

2.1 Intended use

- The OFFICE locks are only suitable for glass doors in dry interior applications.

2.2 Foreseeable misuse

- The OFFICE locks are not suitable for emergency exit doors compliant with DIN EN 179 and escape doors compliant with DIN EN 1125.
- OFFICE locks are not suitable for shower, sauna, bath or salt-water bath applications or areas where chemicals (e.g. chlorine) are used.
- Glass door panels must not be slammed shut.
- Due to crushing hazards - among others in the area of the secondary closing edge - and possible injury caused by breakage of glass during mounting, corresponding protective clothing (especially gloves and protective goggles) is required.
- Never use clamping shoes on structured glass surfaces (except on satined glass) or glass of heavily varying thickness unless with a corresponding leveling layer.

OFFICE locks

Junior, Classic, Arcos & Mundus

Mounting instructions

WN 059521 45532/14360
2021-03

EN

- Never use clamping shoes on self-cleaning coatings.
- When adjusting glass elements, always stick to the required clearance for the respective fitting. Adjust clearance so that the glass does not touch hard components such as glass, metal or concrete.

2.3 Requirements for the glass door panel

- Toughened safety glass (TSG)
- In areas with additional requirements, e.g. nurseries, the use of heat-soaked toughened safety glass (TSG-H compliant with DIN EN 12150-1) is recommended.
- Do not use glass with conchoidal fractures and/or damaged edges.
- Installation should be free of tension (torque should not be exceeded by over-tightening screws).

3 Product description

The OFFICE locks with latch and bolt are suitable for glass doors in dry interior applications. The locks comply with the current DIN EN 12209 and are designed for the use in public buildings. The profile cylinder is not included in the scope of delivery.

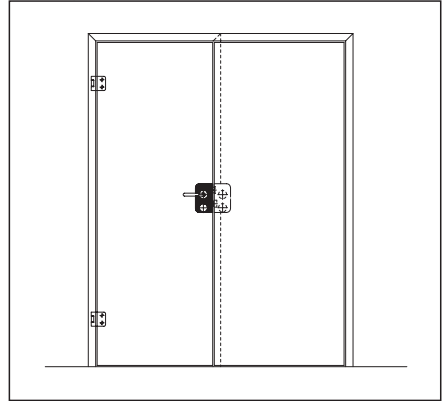


Fig. 1 Door situation

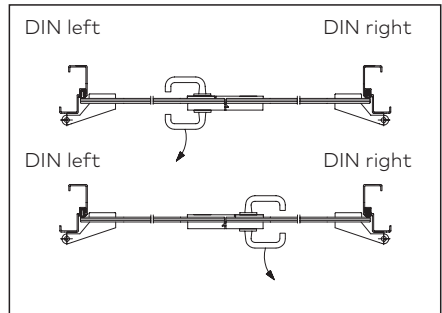


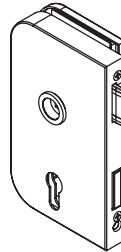
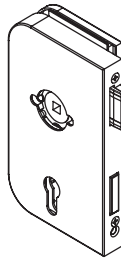
Fig. 2 DIN directions

3.1 Options

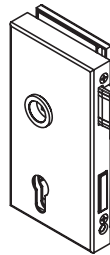
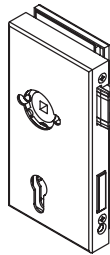
For lever handles with roses

For follower

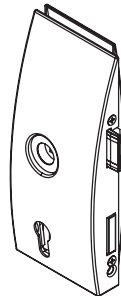
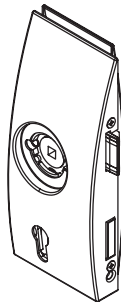
OFFICE Junior



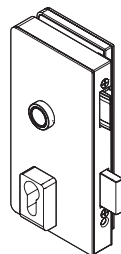
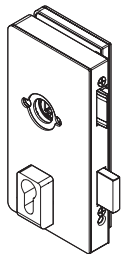
OFFICE Classic



OFFICE Arcos



OFFICE Mundus

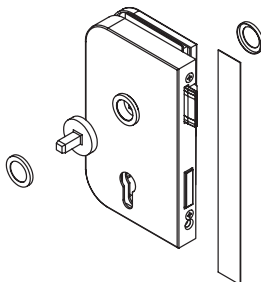
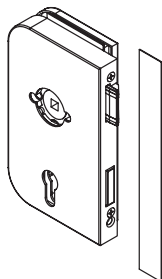


3.2 Scope of delivery

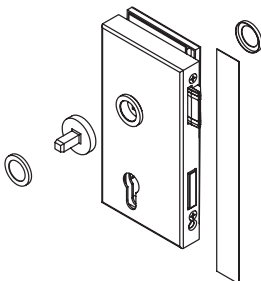
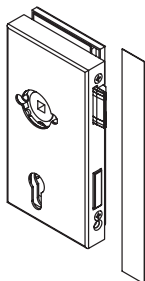
For lever handles with roses

For follower

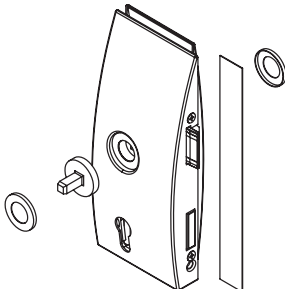
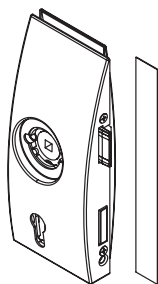
OFFICE Junior



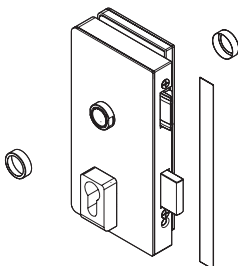
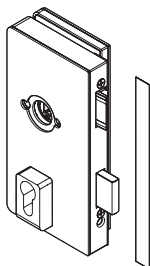
OFFICE Classic



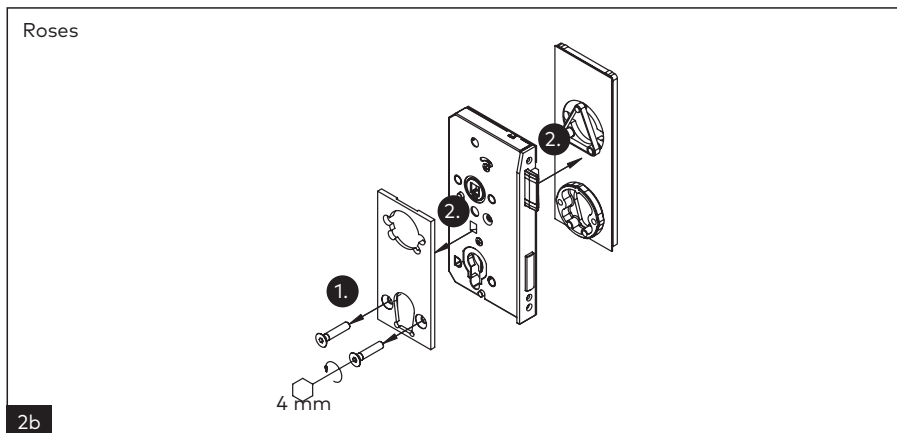
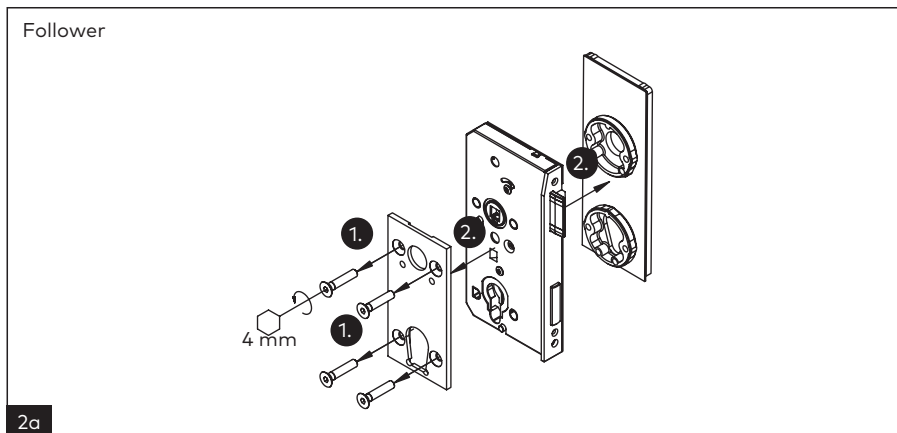
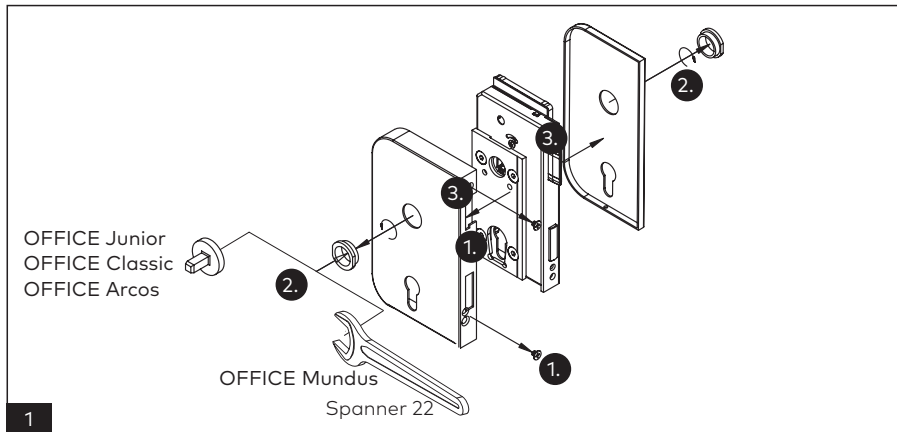
OFFICE Arcos

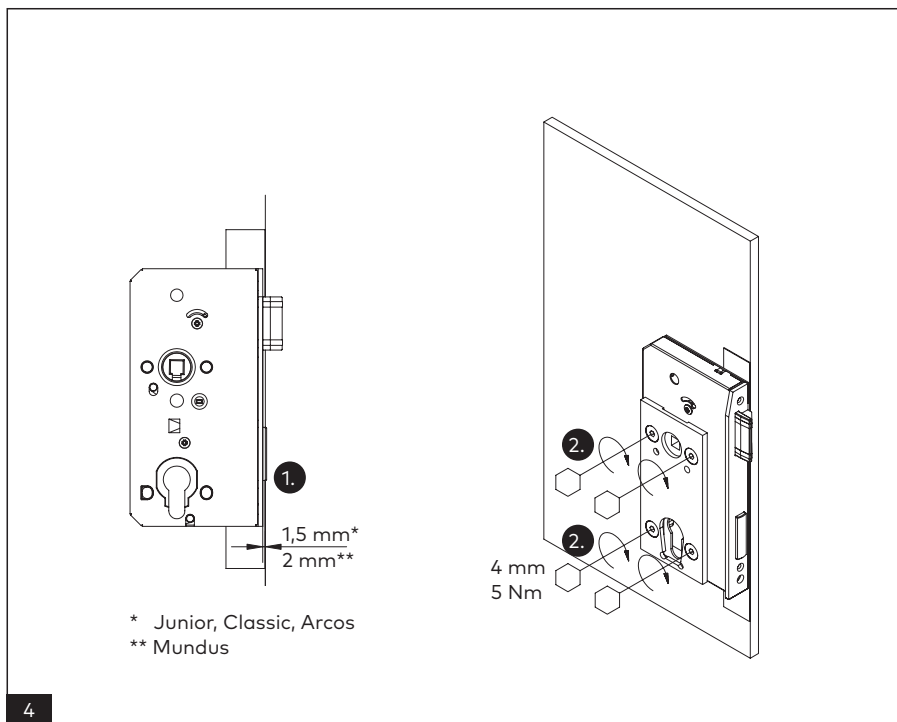
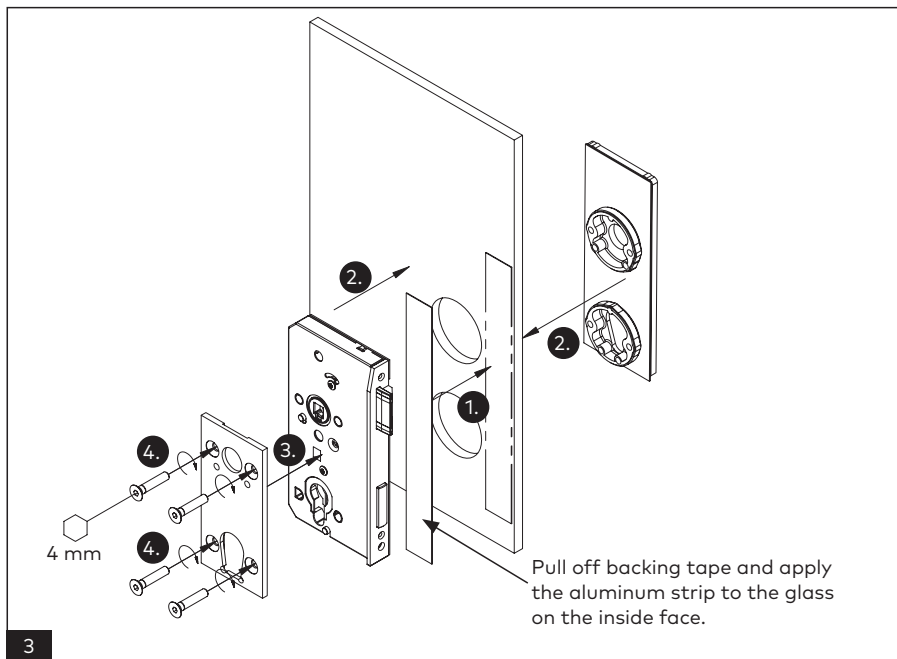


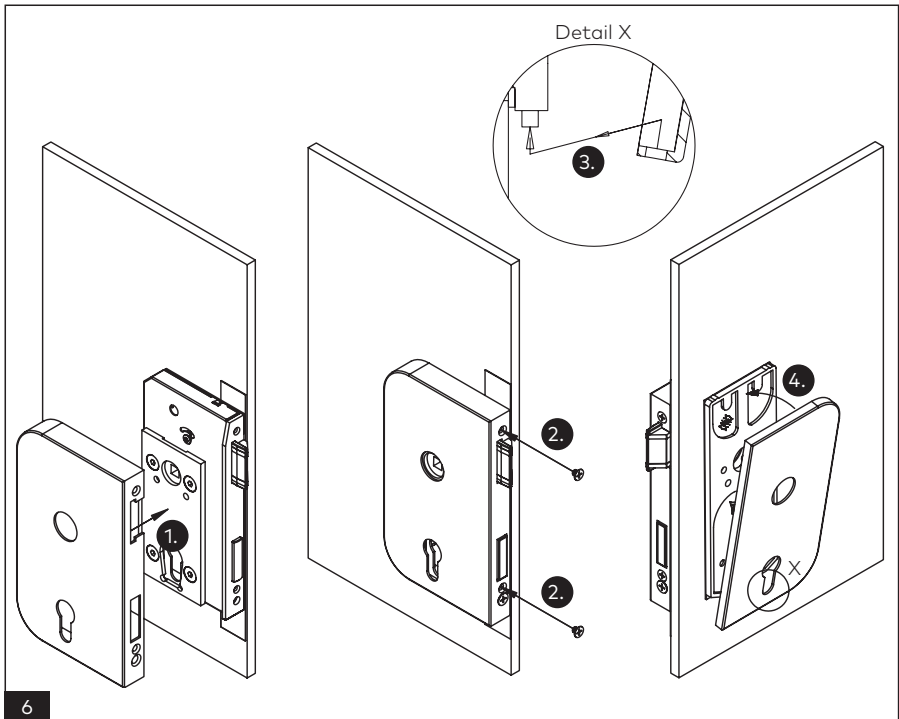
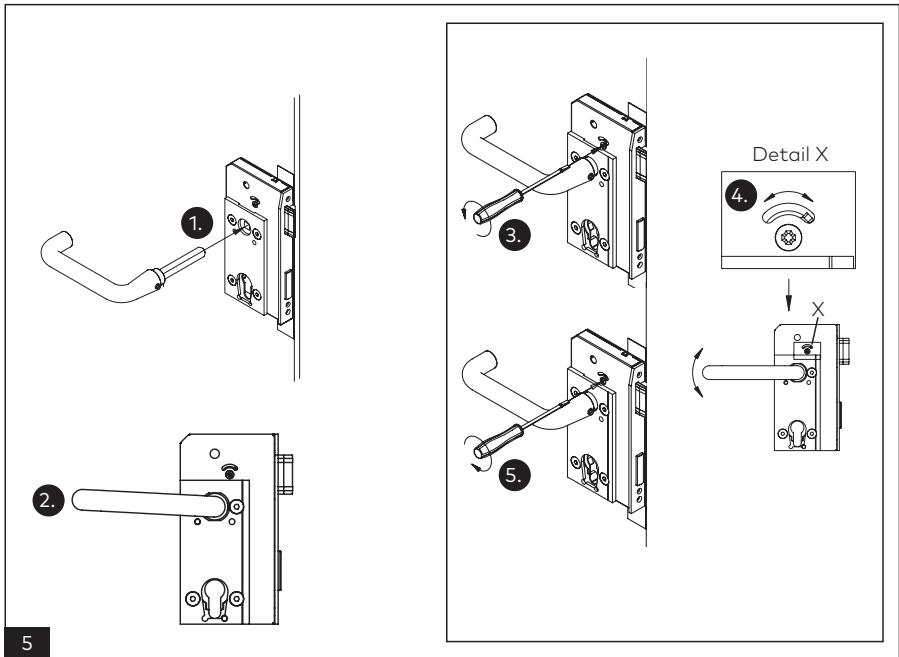
OFFICE Mundus



4 Mounting



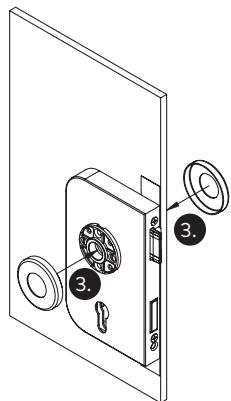
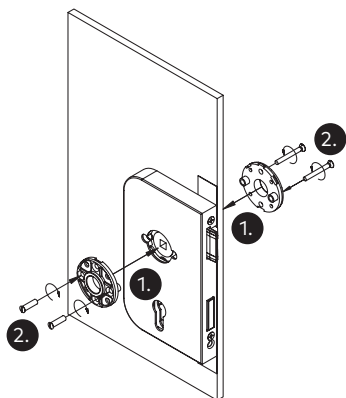




Lever handles with roses

NOTICE:

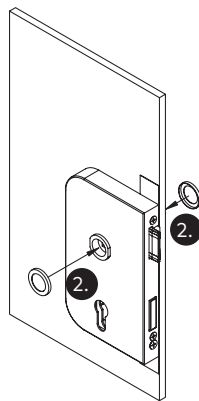
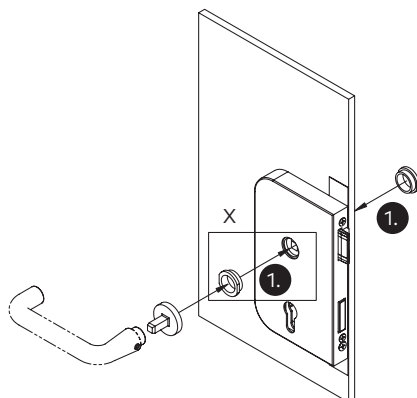
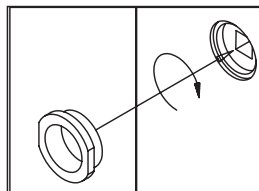
Roses and fixings are not included in the scope of delivery.



7a

Lever handles with follower
Junior, Classic, Arcos

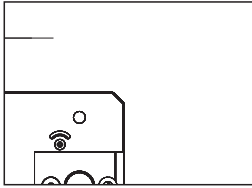
DETAIL X



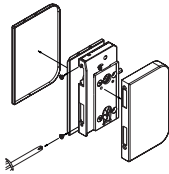
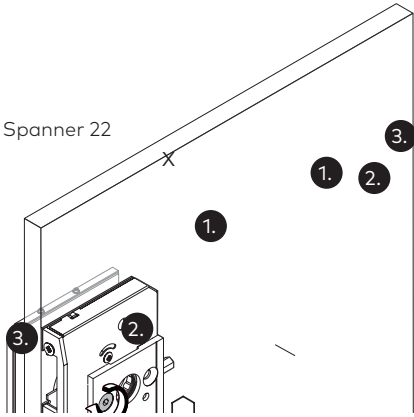
7b

Lever handles with follower
Mundus

DETAIL X



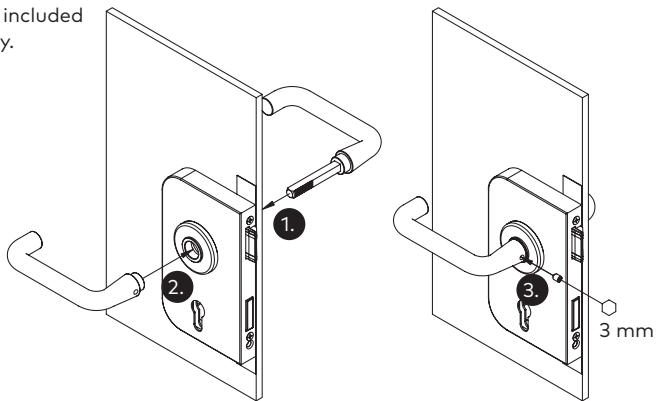
Spanner 22



7c

NOTICE:

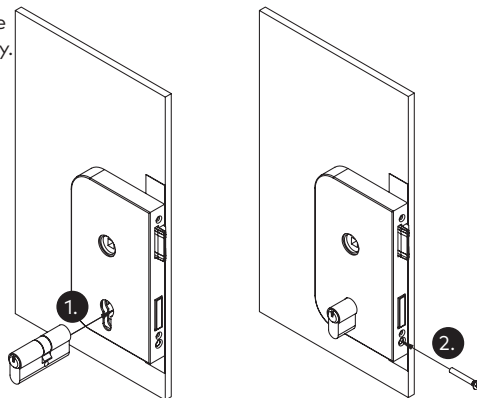
Lever handles are not included in the scope of delivery.



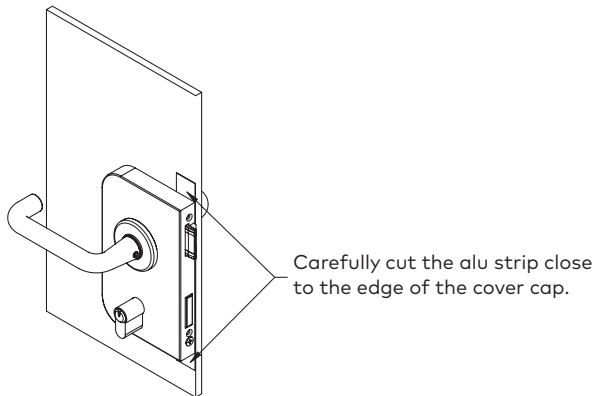
8

NOTICE:

Profile cylinder and fixing screw are not included in the scope of delivery.



9



10

5 Maintenance and care

- Check the OFFICE locks at regular intervals for proper positioning, smooth operation and correct adjustment.
- Check the function of the OFFICE locks every 500 000 movements by specialists.
- Immediately replace damaged glass elements.
- Immediately replace damaged components.
- Only use dormakaba original parts.

The surfaces of the OFFICE locks are not maintenance-free and need to be cleaned and cared for using the appropriate materials:

- Only use non-abrasive cleaning substances for metallic surfaces (anodized finishes, stainless steel).
- Only use solvent-free cleaners for painted surfaces.
- Brass finishes (without surface protector) need to be treated with suitable care products from time to time to prevent tarnishing.

6 Disassembly and disposal

Disassembly is the same procedure in reverse. Refer to the statutory regulations for your country for a proper disposal.

Translation of the original manual, subject to change without notice

DORMA-Glas GmbH Max-Planck-Straße 33 – 45 32107 Bad Salzflen Germany
T: +49 2333 793-0 F: +49 2333 793-4950 www.dormakaba.com