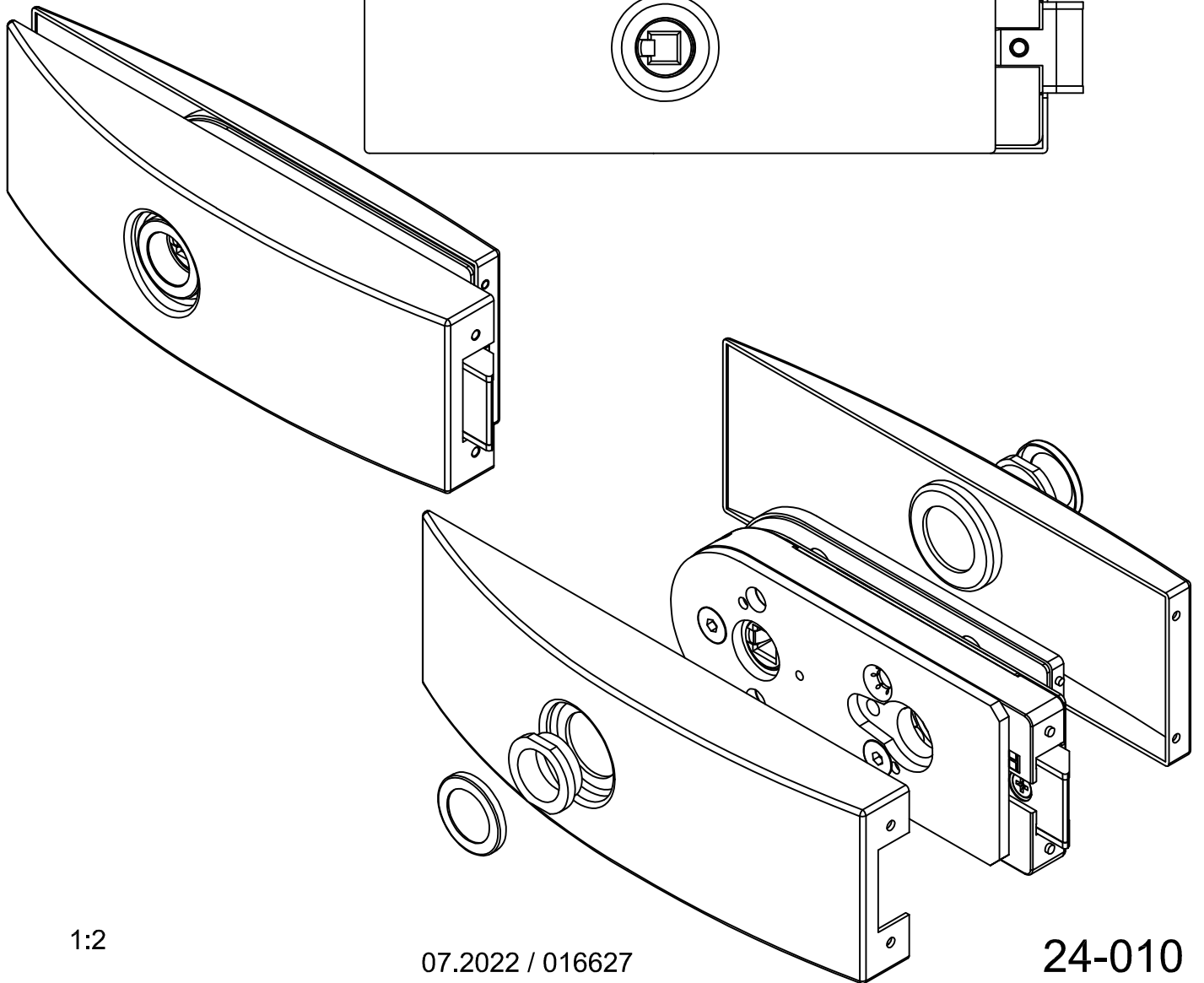
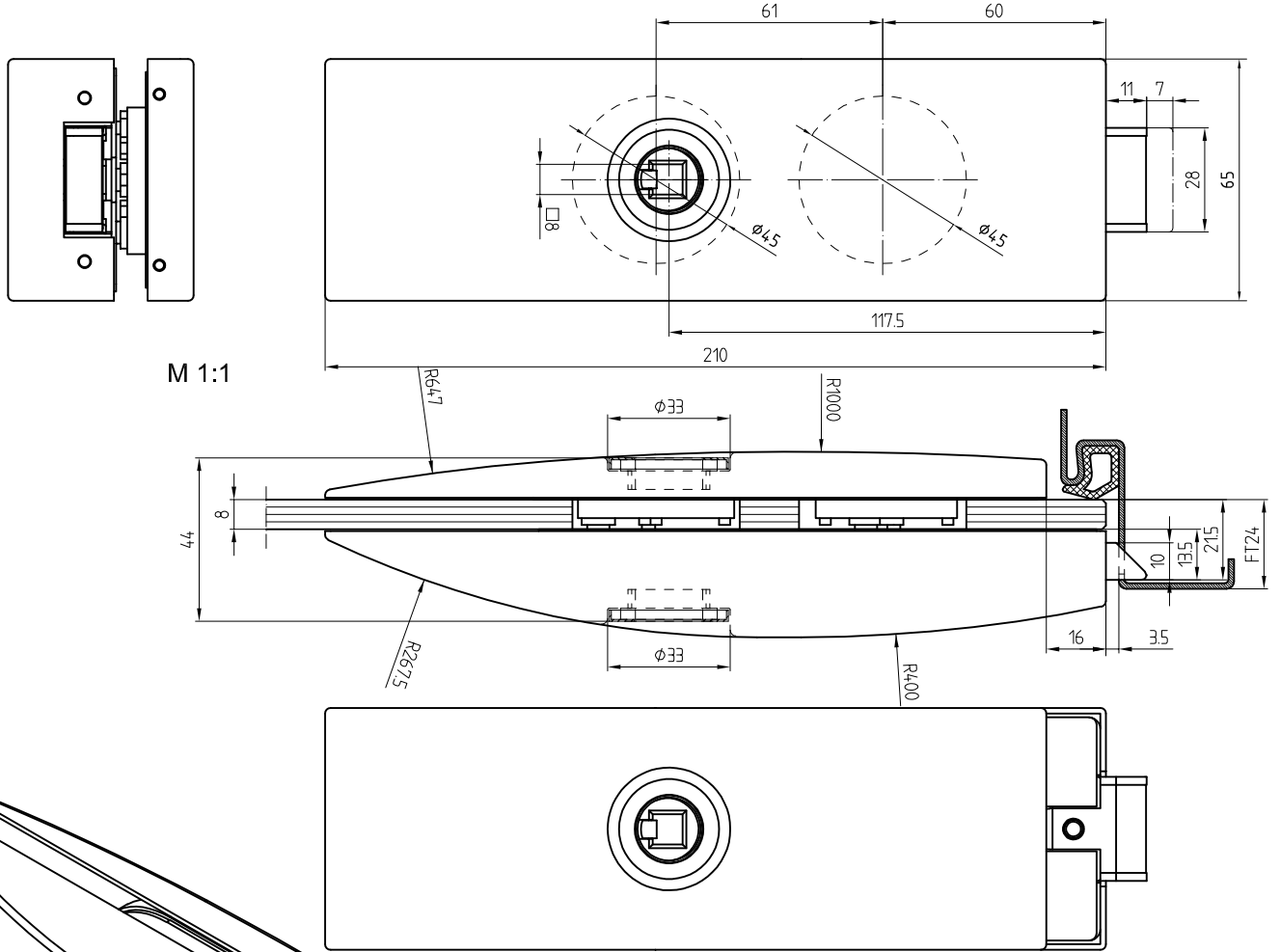


ARCOS-Studio-lock

with follower non-locking Art. Nr.24.200

24.200



1:2

07.2022 / 016627

24-010