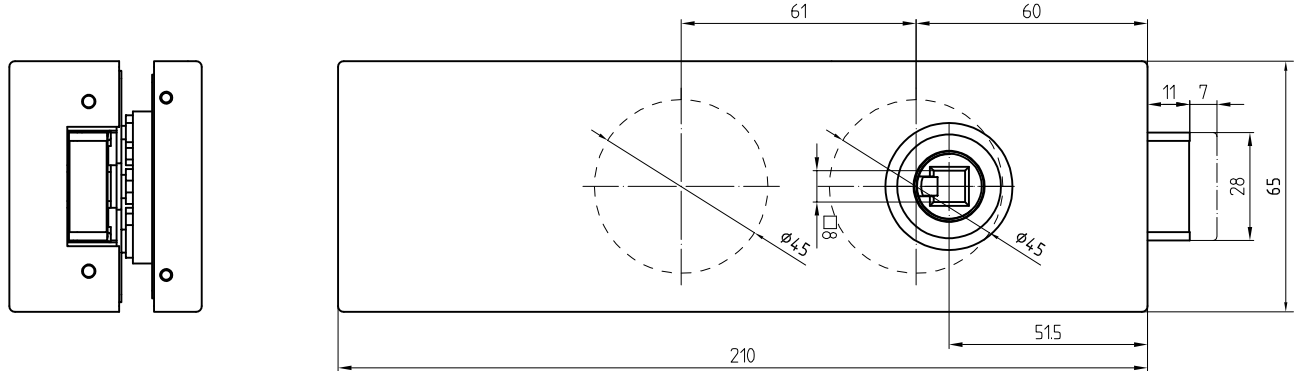


# ARCOS-Studio-lock

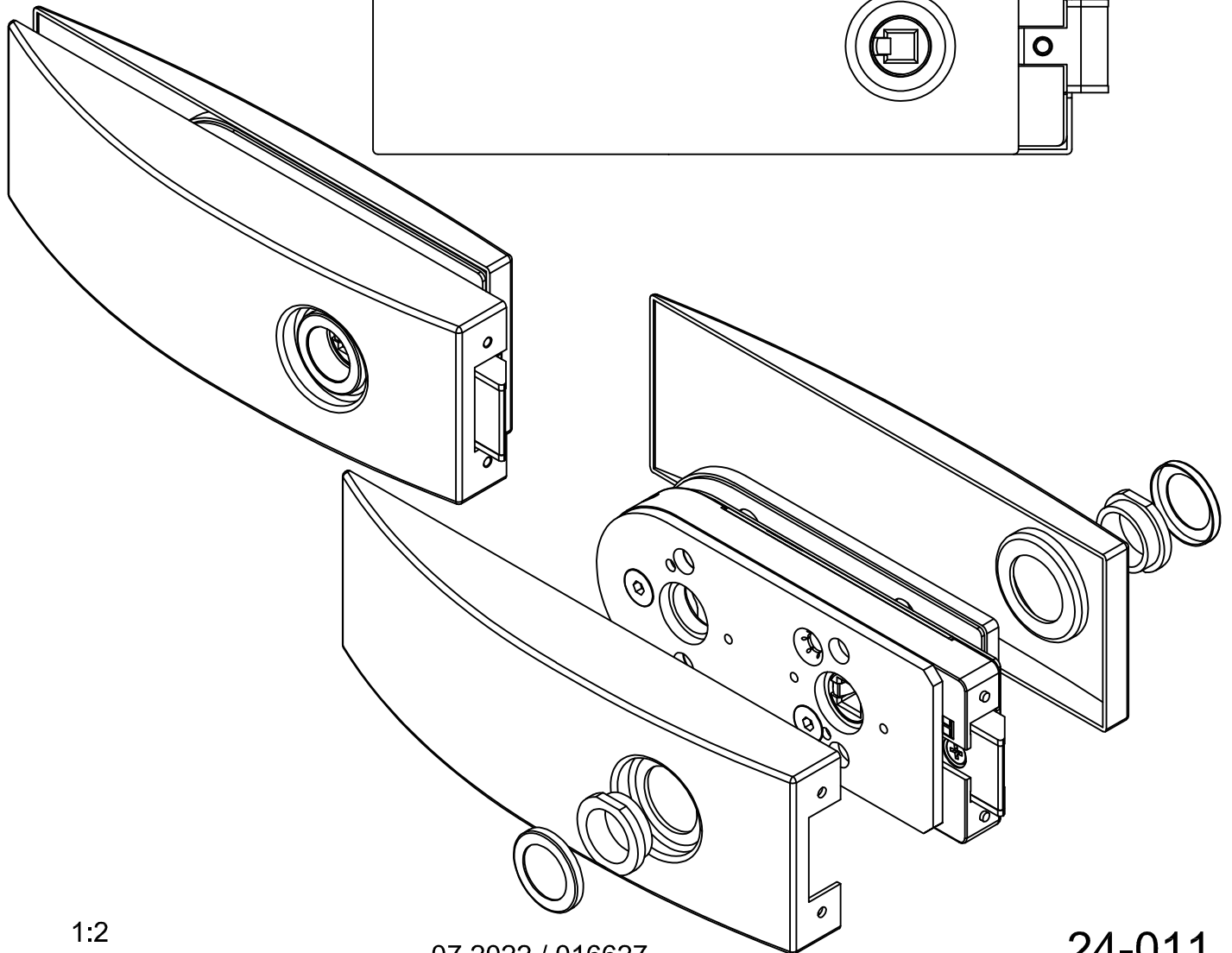
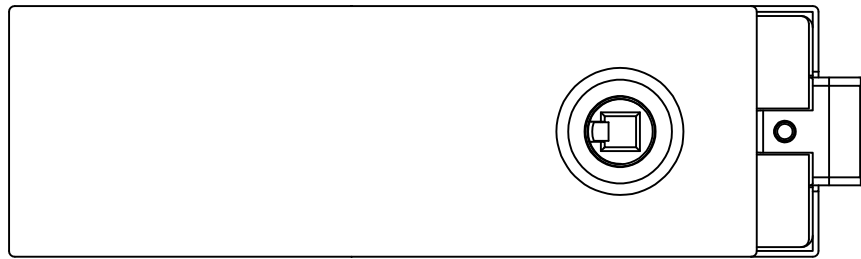
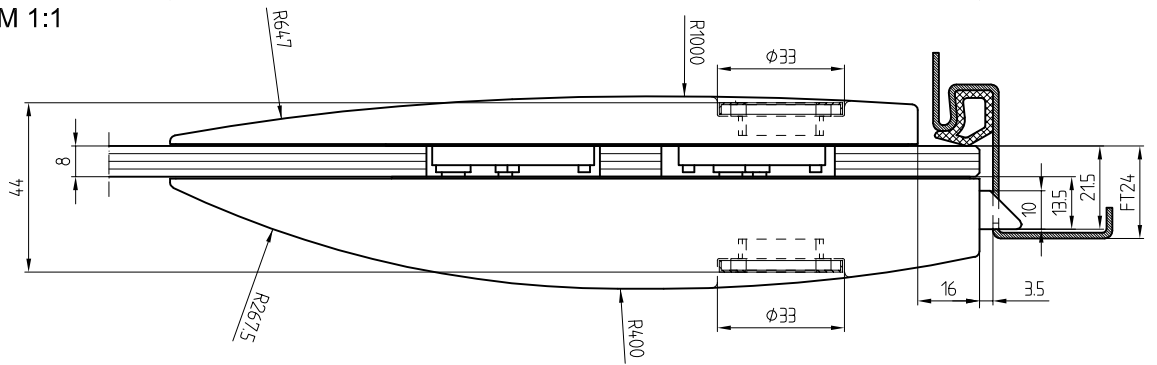


with follower forward Art. No.24.201

24.201



M 1:1



1:2

07.2022 / 016627

24-011