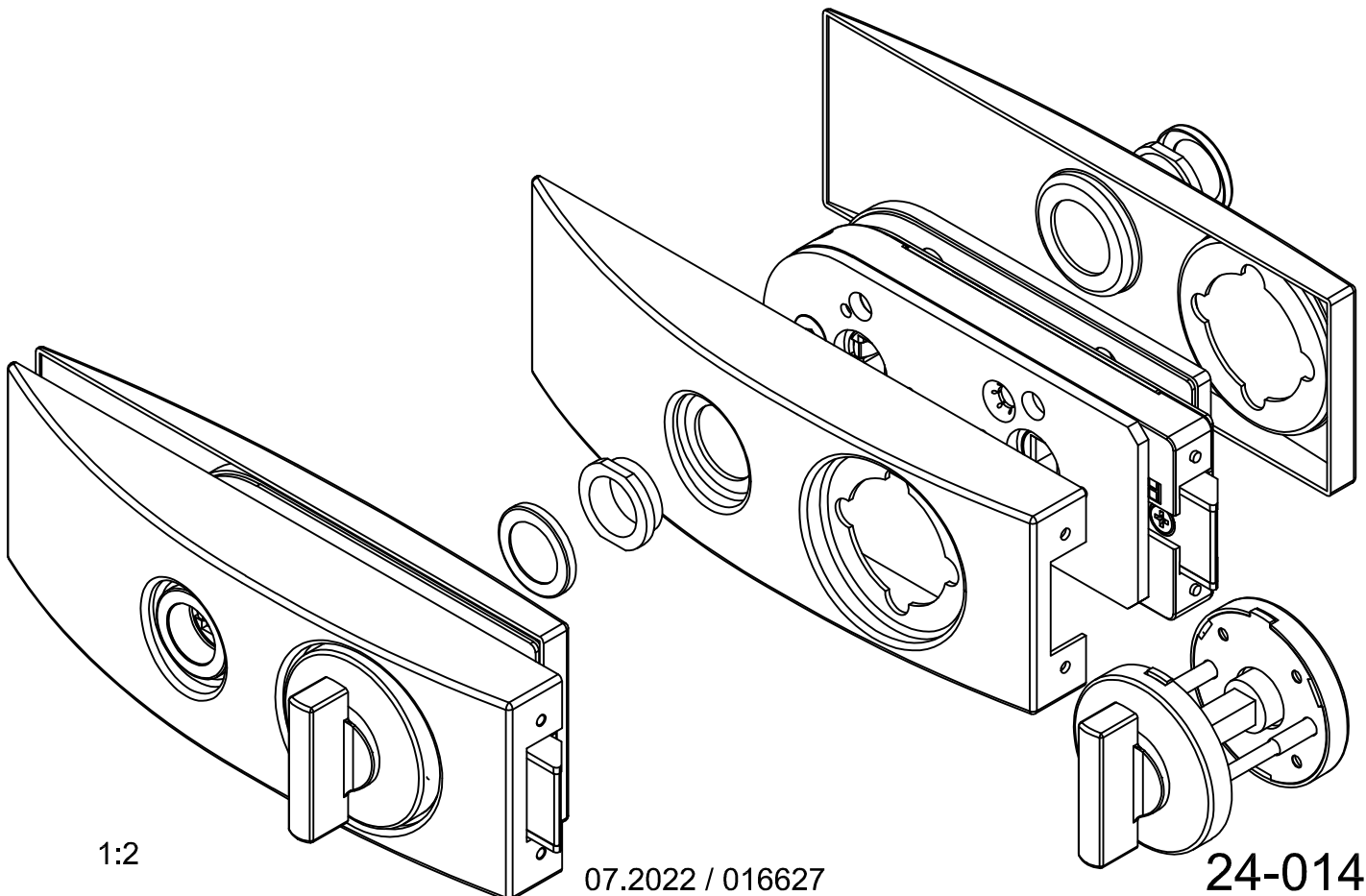
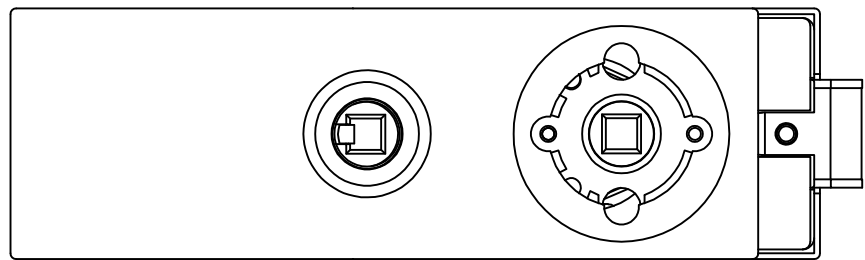
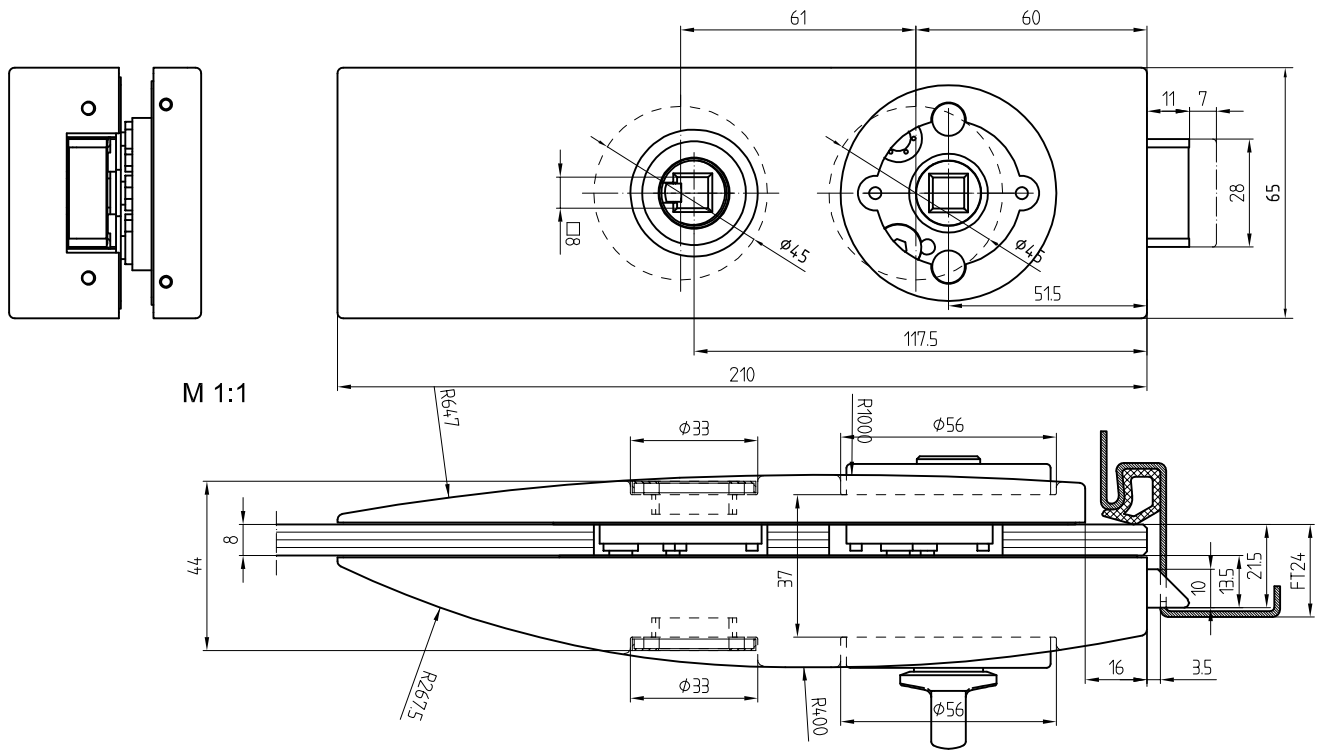


ARCOS-Studio-lock

with follower WC Art. No.24.206



24.206



1:2

07.2022 / 016627

24-014

This document is protected by copyright. The content is the property of DORMA-Glas GmbH. All rights reserved.