

ARCOS-Studio-lever and knob set (without function)

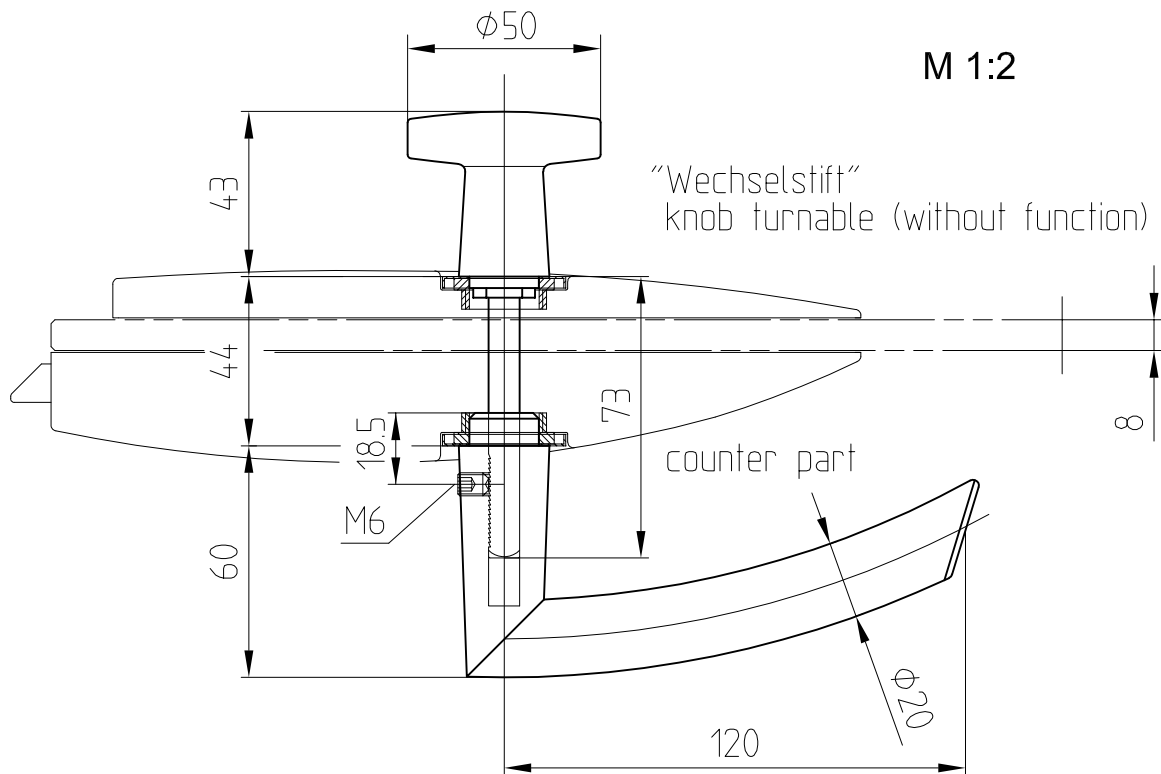
Art. No. 24.316

follower



24.316

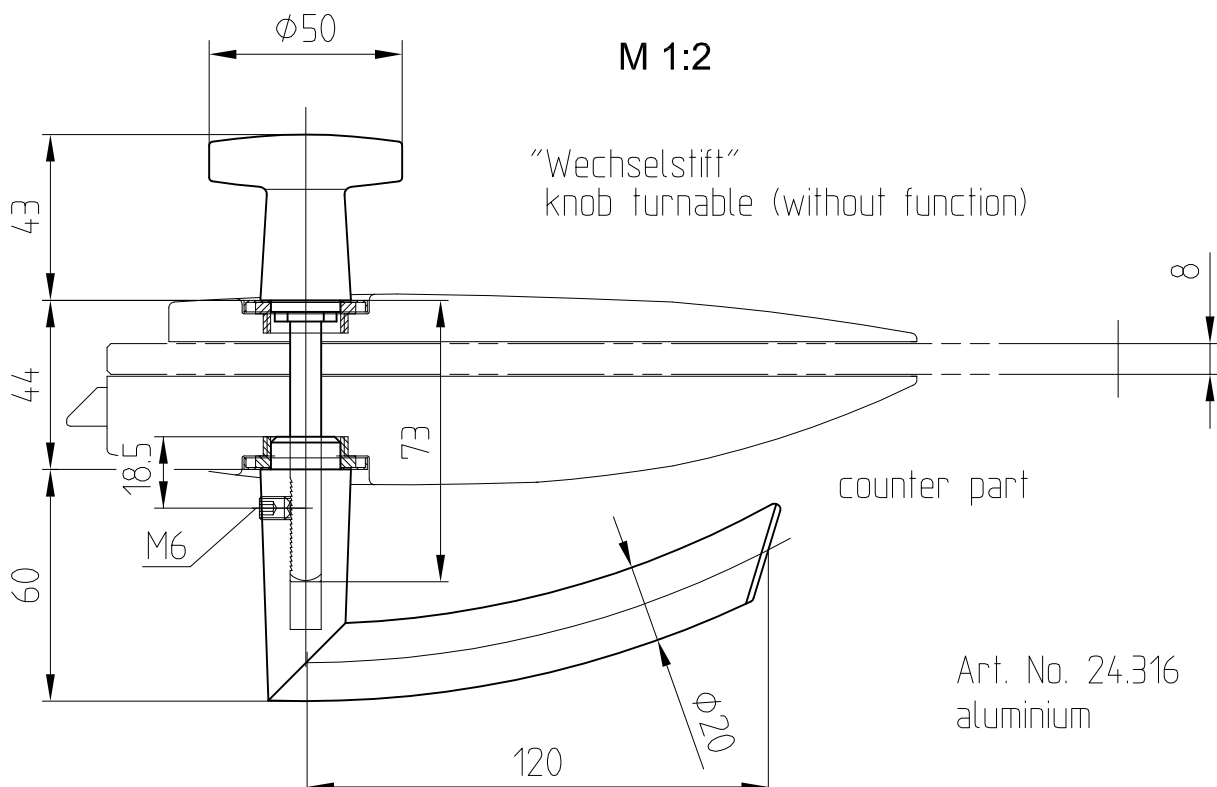
application: lever backward



M 1:2

Art. No. 24.316
aluminium

application: lever forward



M 1:2

Art. No. 24.316
aluminium

1:1

07.2022 / 016627

24-051