

# MUTO Comfort / Premium

## Sealing system

Installation instructions

WN 059270 45532 – 2019-07

**EN**

**dormakaba** 

# MUTO Comfort / Premium

Sealing system

## Contents

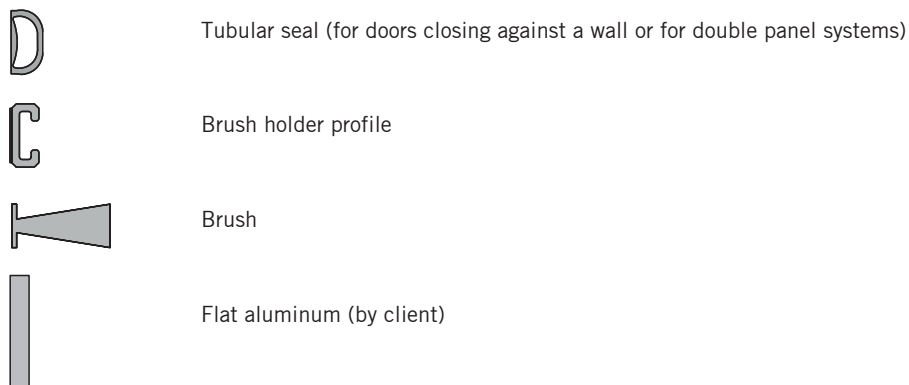
- 1. Profile overview ..... 3
- 2. Use of the profiles ..... 3
- 3. Installation situations..... 4
  - 3.1 MUTO Comfort L 80 ..... 4
  - 3.2 MUTO Premium XL 80/150 / MUTO Premium Self-Closing 120..... 5
  - 3.3 MUTO Premium Telescopic 80 ..... 6
  - 3.4 Tubular seal ..... 7
- 4. Mounting the brush holder profile and brush ..... 8
- 5. Mounting the tubular seal..... 10

All dimensions in these instructions are given in mm.

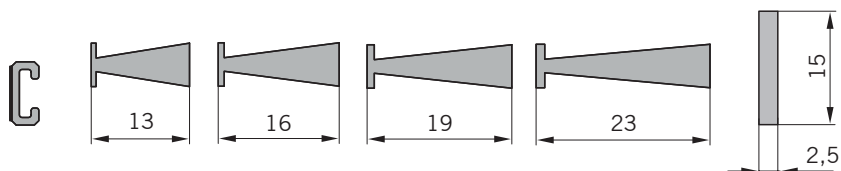
# MUTO Comfort / Premium

## Sealing system

### 1. Profile overview



### 2. Use of the profiles



<b>MUTO Comfort L 80</b>				
Fixed at wall	X	X		X
Fixed at ceiling	X	X		
Fixed at ceiling with glass side panel(s)	X		X	
Fixed at glass with glass side panel(s)	X		X	
<b>MUTO Premium XL 80/150</b>				
<b>MUTO Premium Self-Closing 120</b>				
Fixed at wall	X		X	X
Fixed at ceiling	X		X	
Fixed at ceiling with glass side panel(s)	X			X
Fixed at glass with glass side panel(s)	X			X
<b>MUTO Premium Telescopic 80</b>				
Fixed at wall and ceiling				
glass thickness: 8–10 mm	2X	X		X
glass thickness: 10–12 mm	2X	X		X
glass thickness: 12–13.5 mm	2X	X	X	X
Fixed at ceiling with glass side panel(s)				
glass thickness: 8–10 mm	2X		X	X
glass thickness: 10–12 mm	2X		X	X
glass thickness: 12–13.5 mm	2X		X	X
Fixed at glass with glass side panel(s)				
glass thickness: 8–10 mm	2X		X	X
glass thickness: 10–12 mm	2X		X	X
glass thickness: 12–13.5 mm	2X		X	X

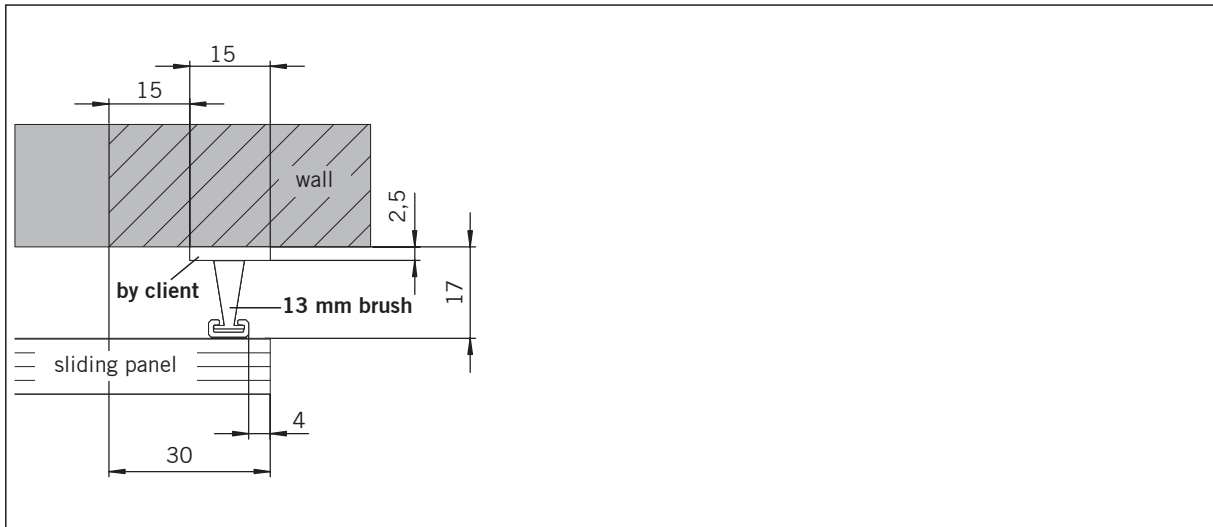
# MUTO Comfort / Premium

## Sealing system

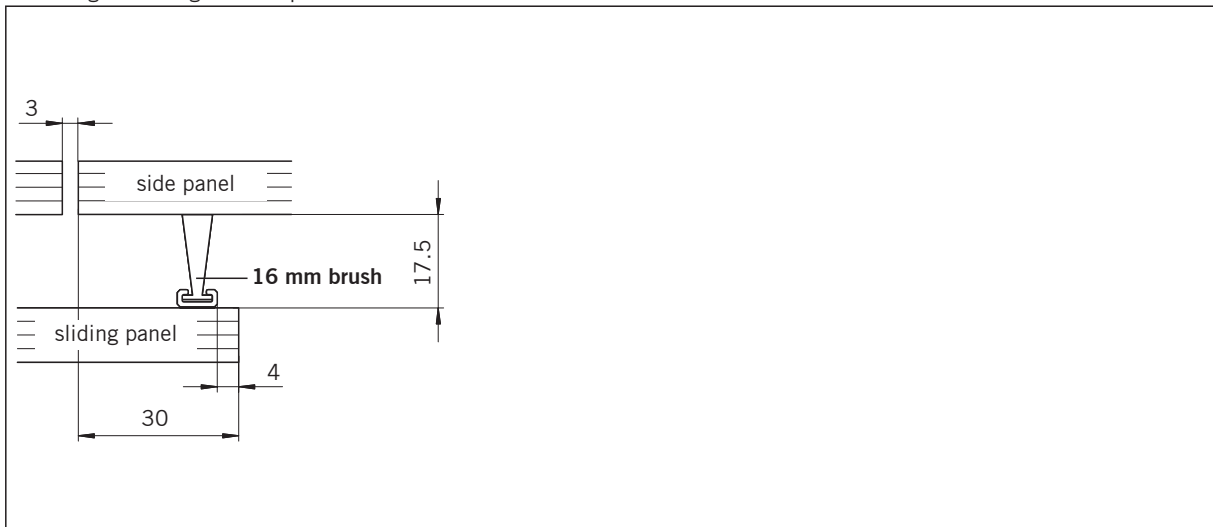
### 3. Installation situations

#### 3.1 MUTO Comfort L 80

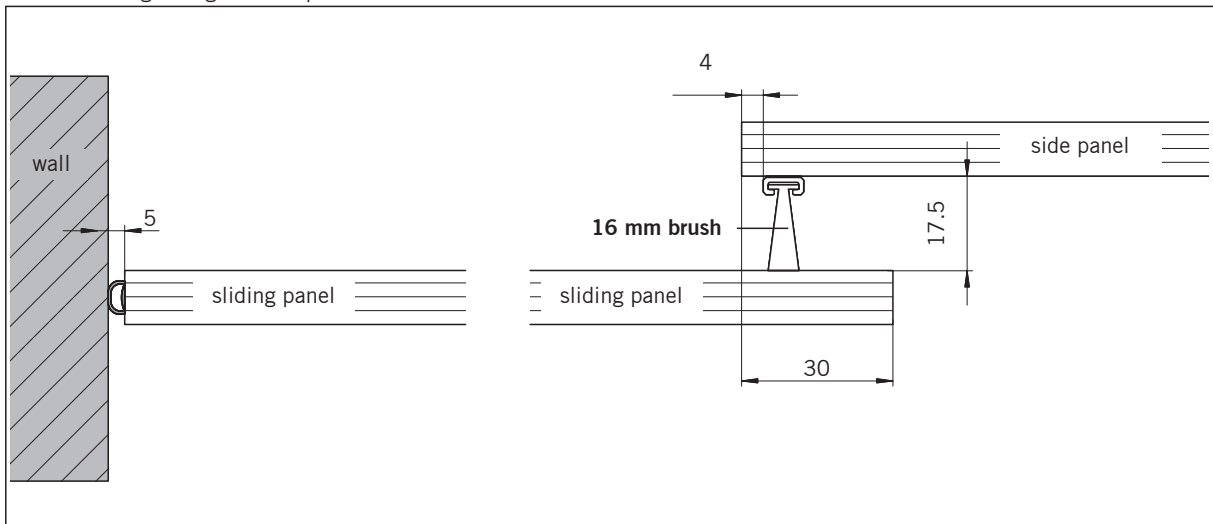
Fixed at wall and ceiling



Fixed at glass with glass side panel(s)



Fixed at ceiling with glass side panel(s)

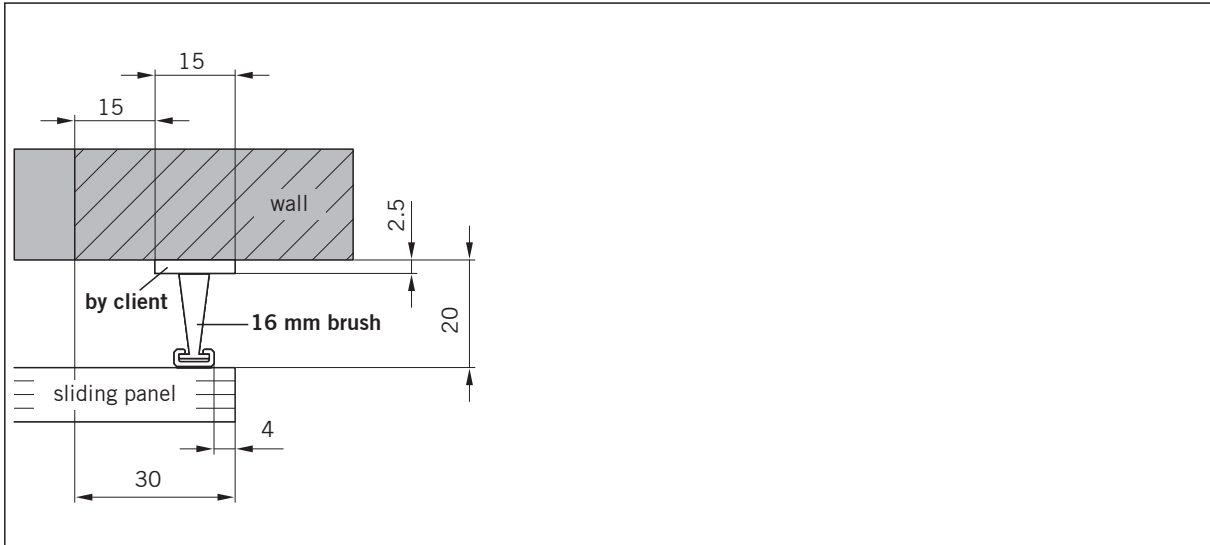


# MUTO Comfort / Premium

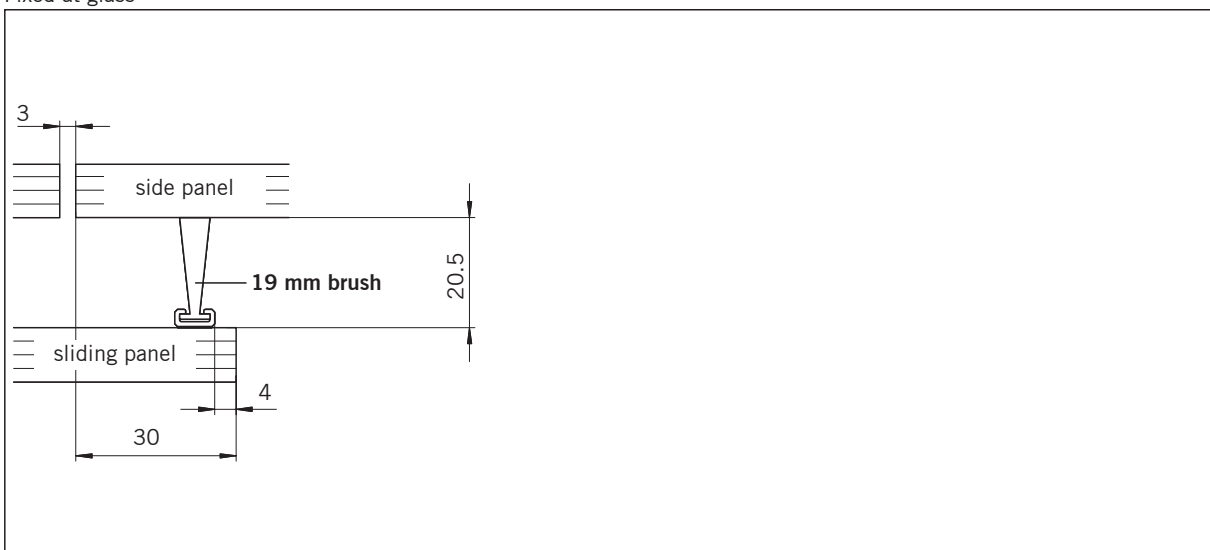
## Sealing system

### 3.2 MUTO Premium XL 80/150 / MUTO Premium Self-Closing 120

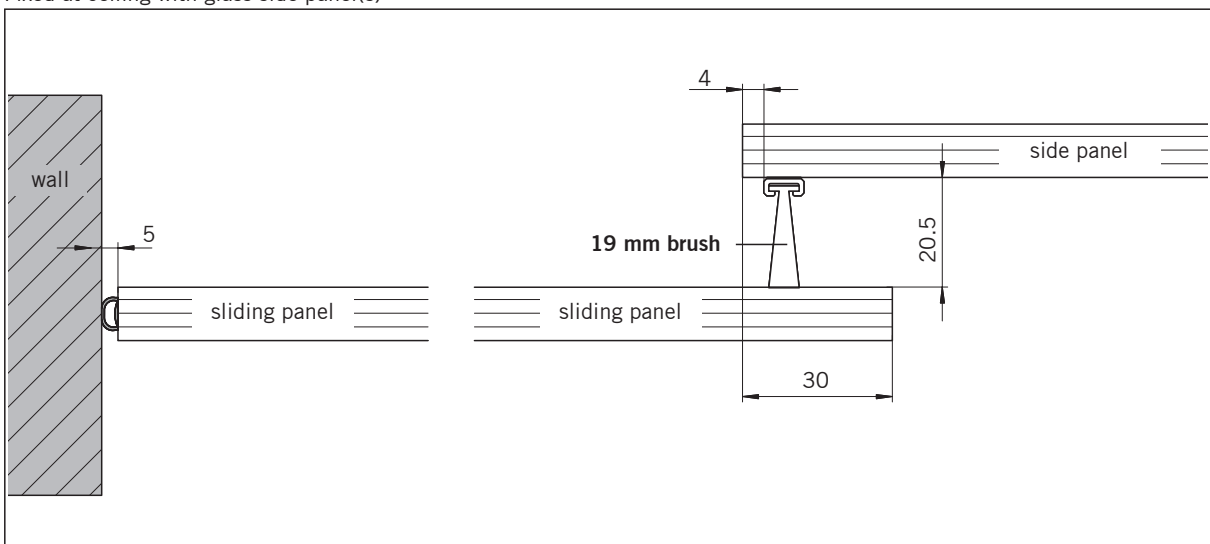
Fixed at wall and ceiling



Fixed at glass



Fixed at ceiling with glass side panel(s)

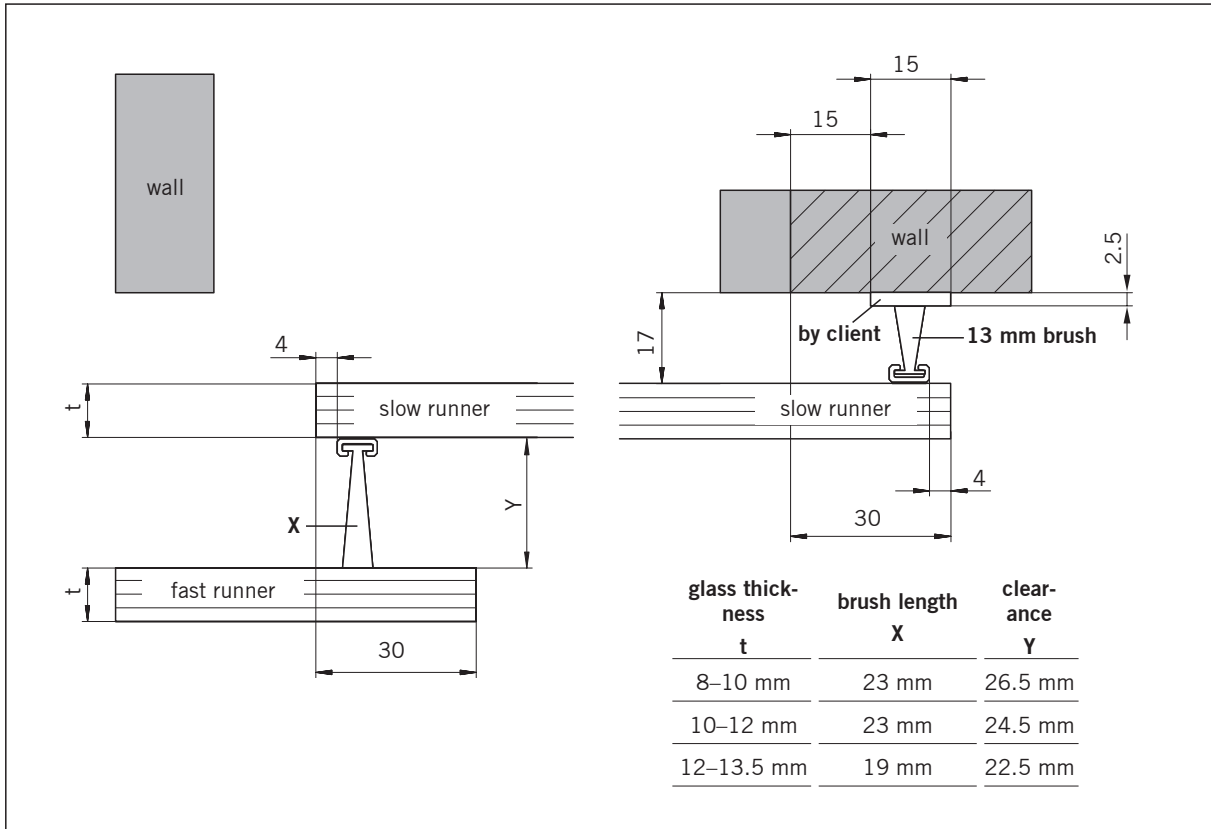


# MUTO Comfort / Premium

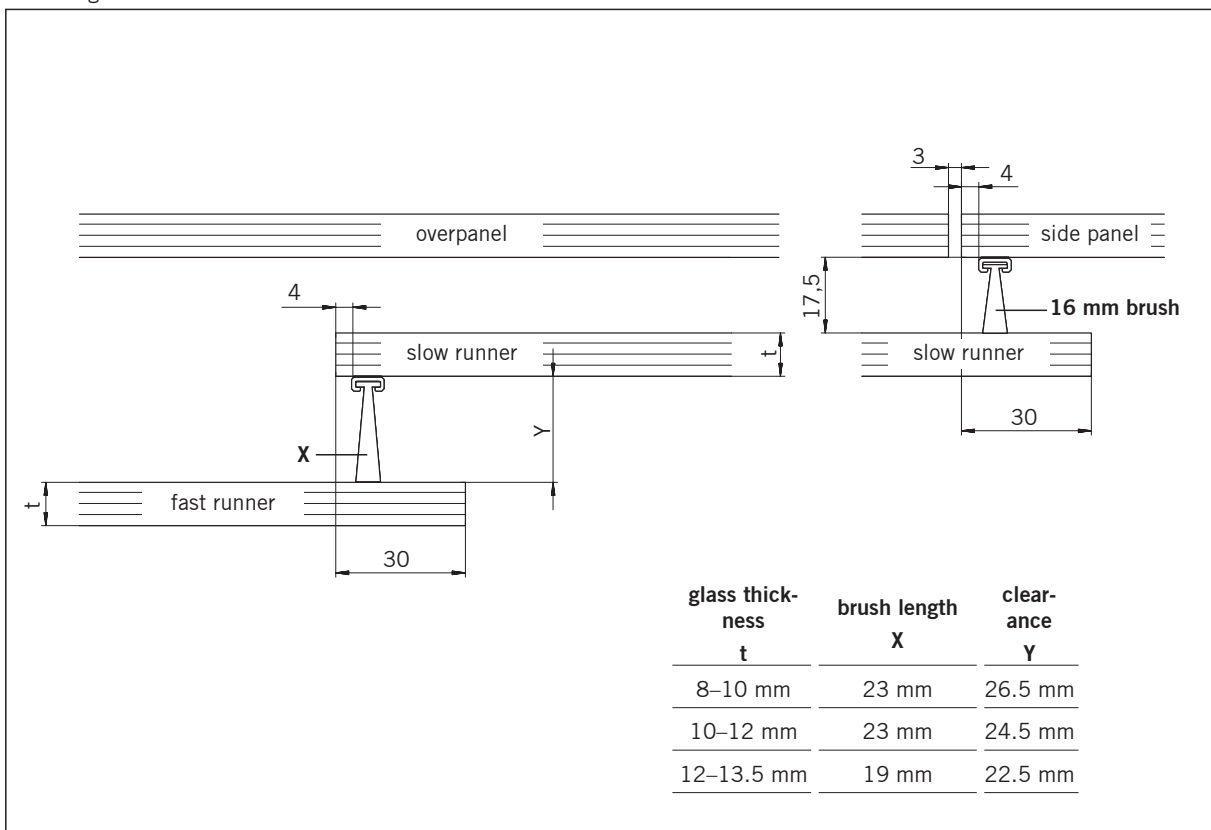
## Sealing system

### 3.3 MUTO Premium Telescopic 80

Fixed at wall / Fixed at ceiling



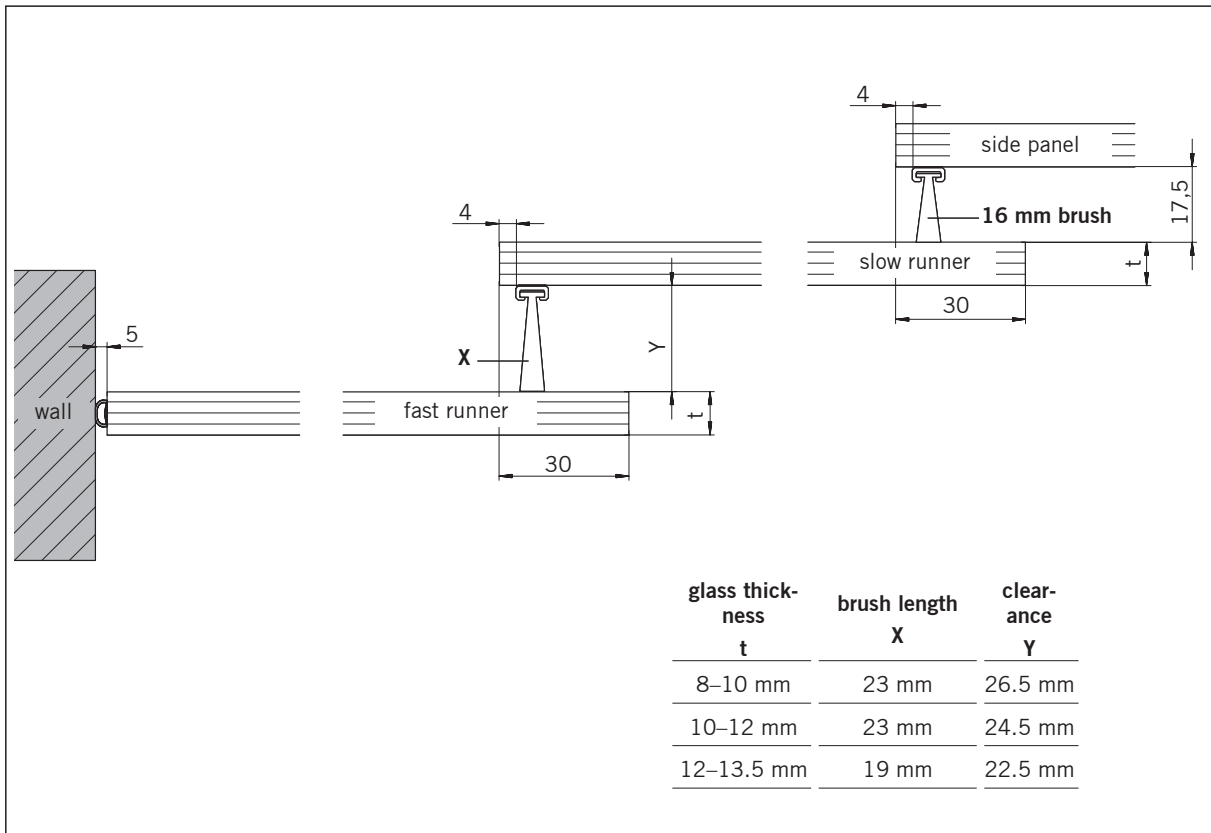
Fixed at glass



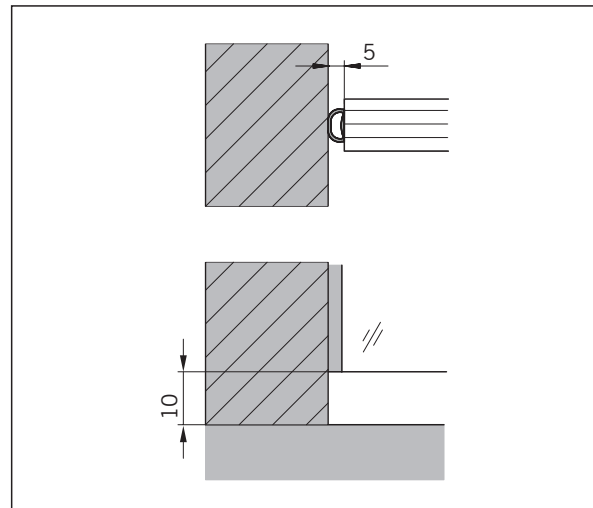
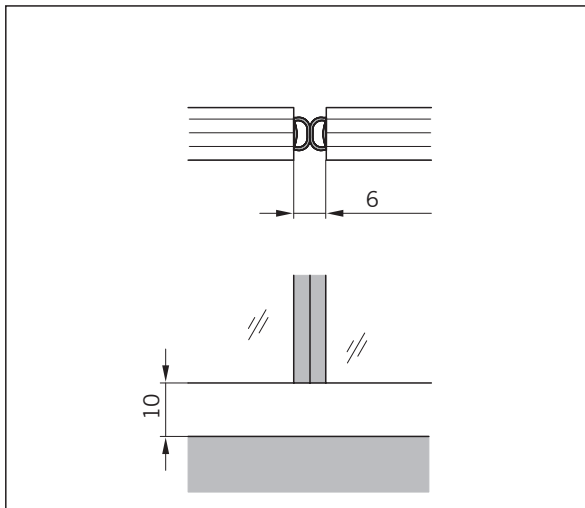
# MUTO Comfort / Premium

## Sealing system

Fixed at ceiling with glass side panel



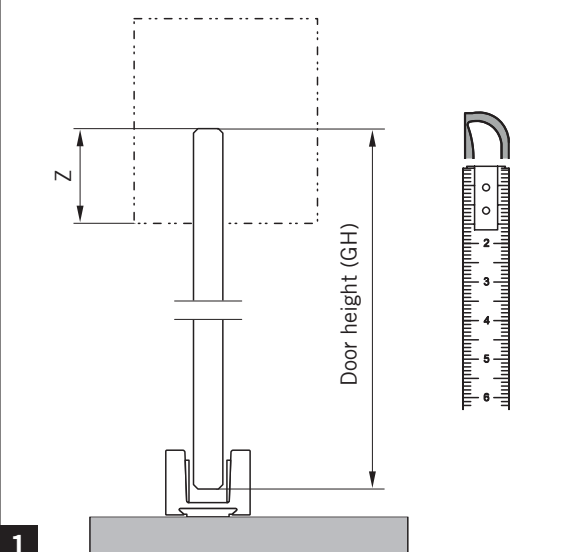
### 3.4 Tubular seal



# MUTO Comfort / Premium

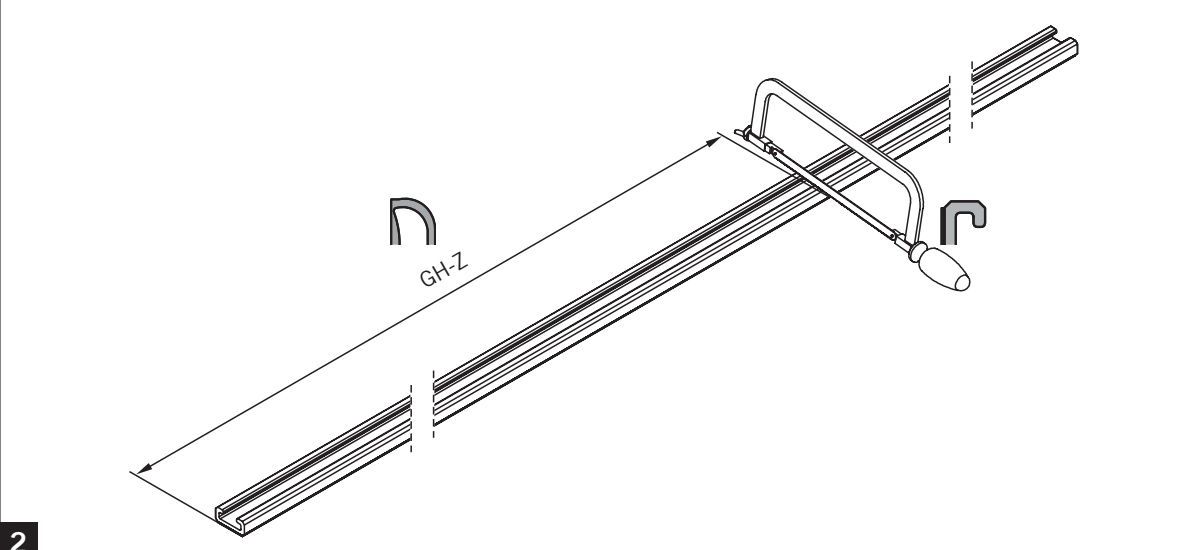
## Sealing system

### 4. Mounting the brush holder profile and brush

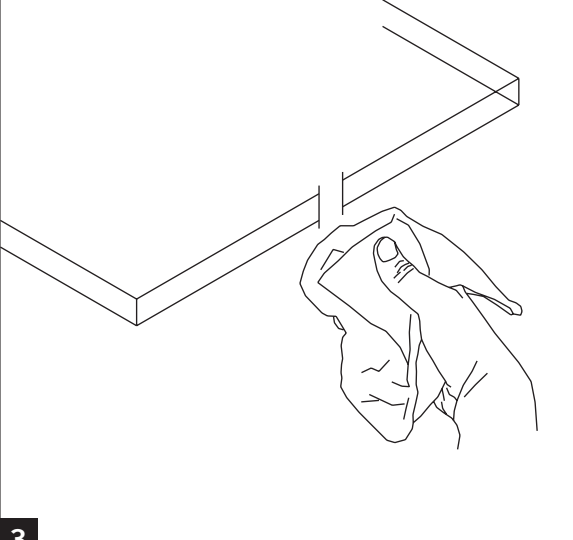


System	Allowance Z
MUTO Comfort L 80	28
MUTO Premium XL 80/150	32
MUTO Premium Self-Closing 120	32
MUTO Premium Telescopic 80	28

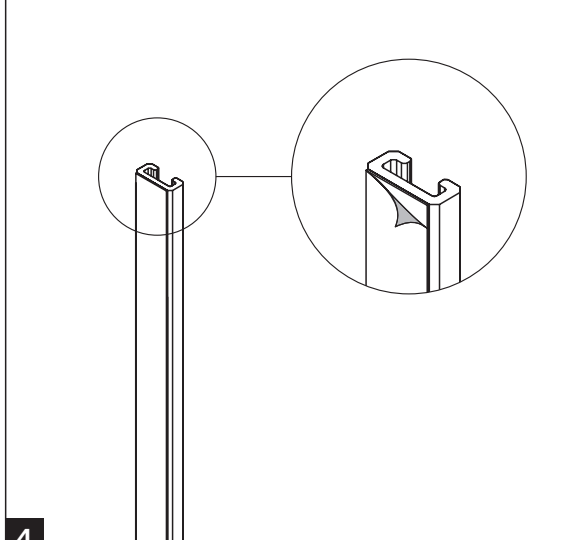
**1**



**2**



**3**

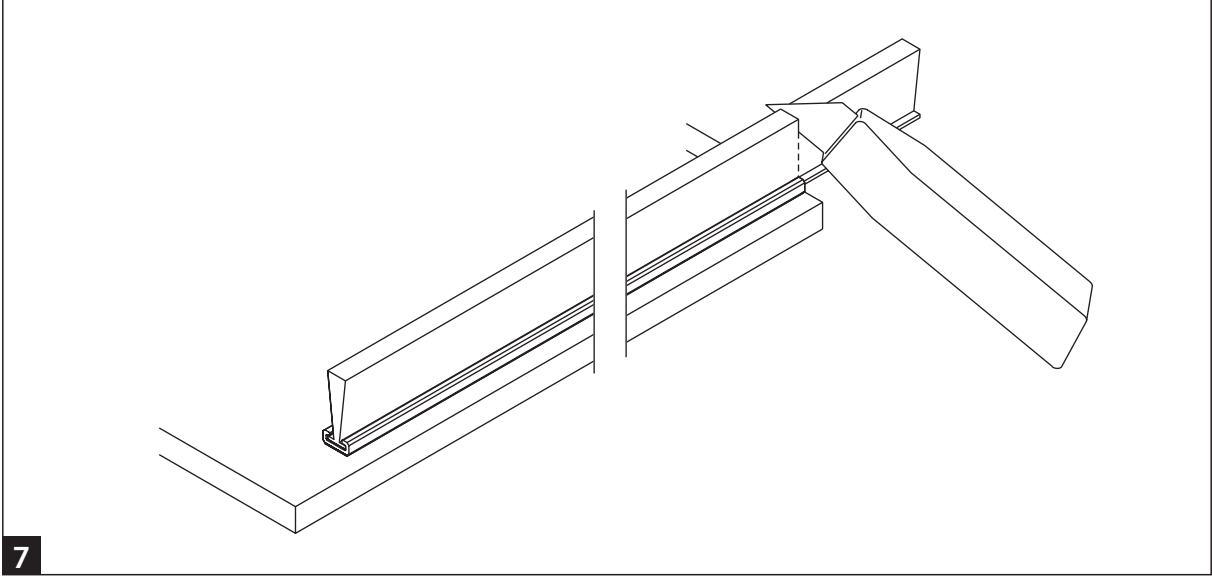
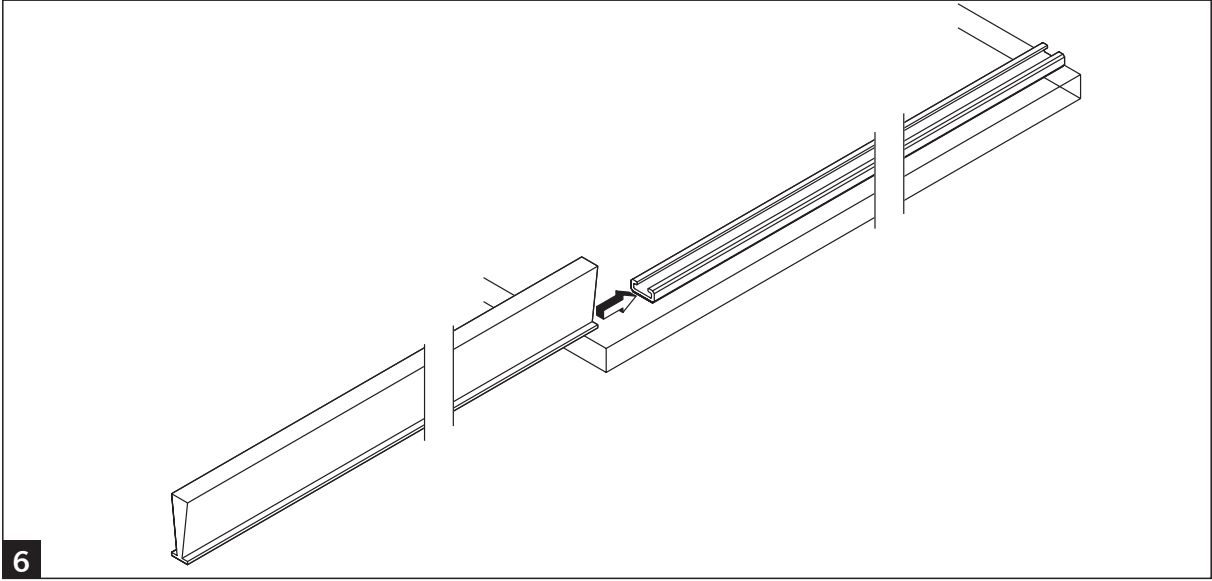
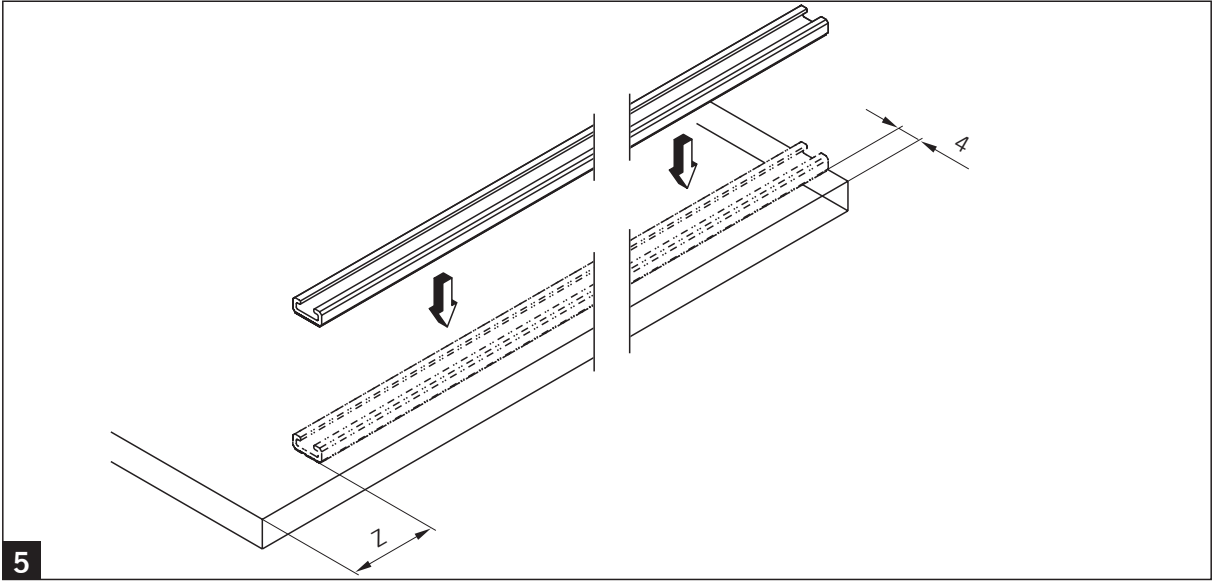


**4**



# MUTO Comfort / Premium

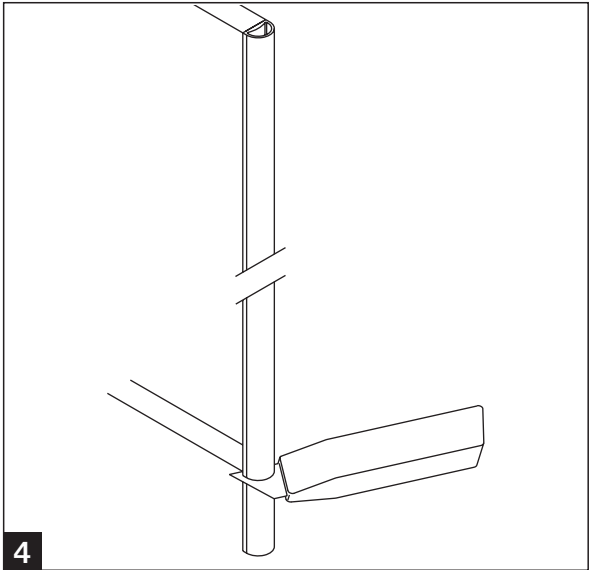
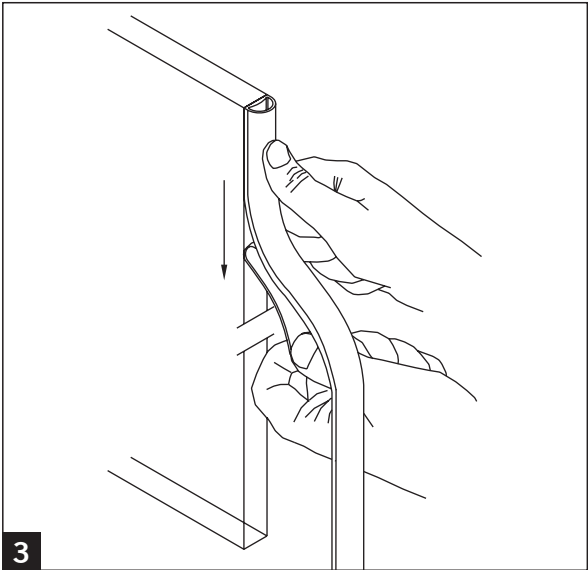
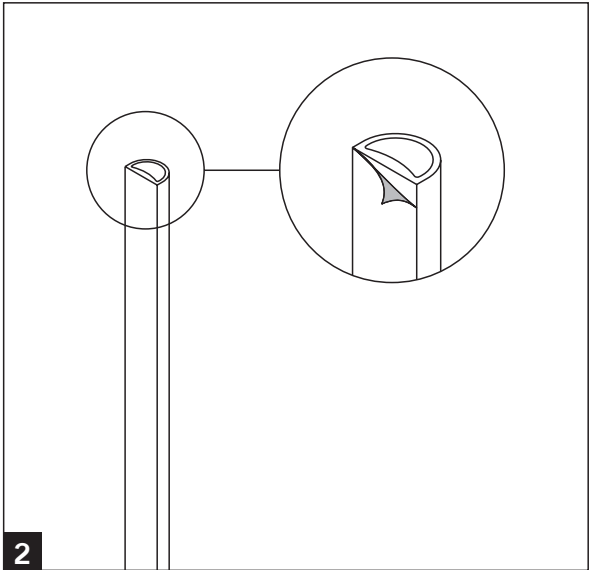
## Sealing system



# MUTO Comfort / Premium

## Sealing system

### 5. Mounting the tubular seal



# MUTO Comfort / Premium

Sealing system

Subject to change without notice

[www.dormakaba.com](http://www.dormakaba.com)

DORMA-Glas GmbH  
Max-Planck-Straße 33 – 45  
32107 Bad Salzuflen  
Deutschland  
T: +49 2333 793-0  
F: +49 2333 793-4950